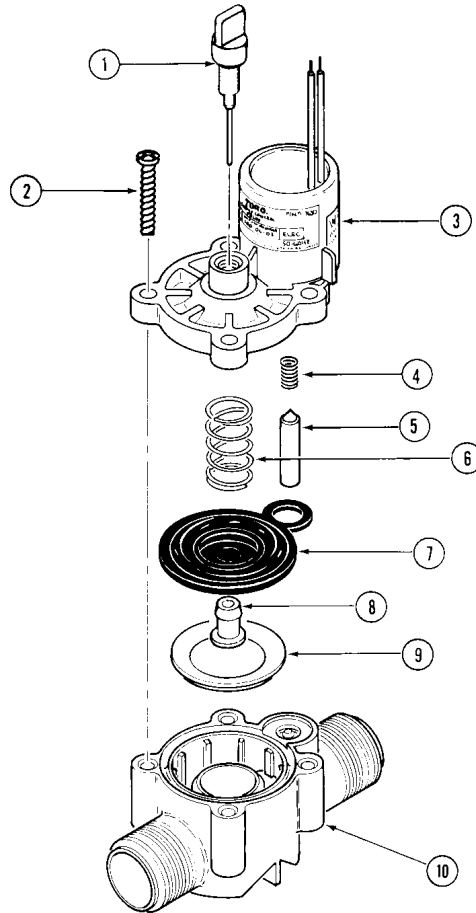
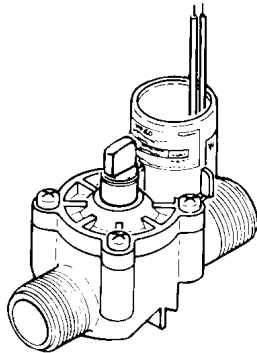
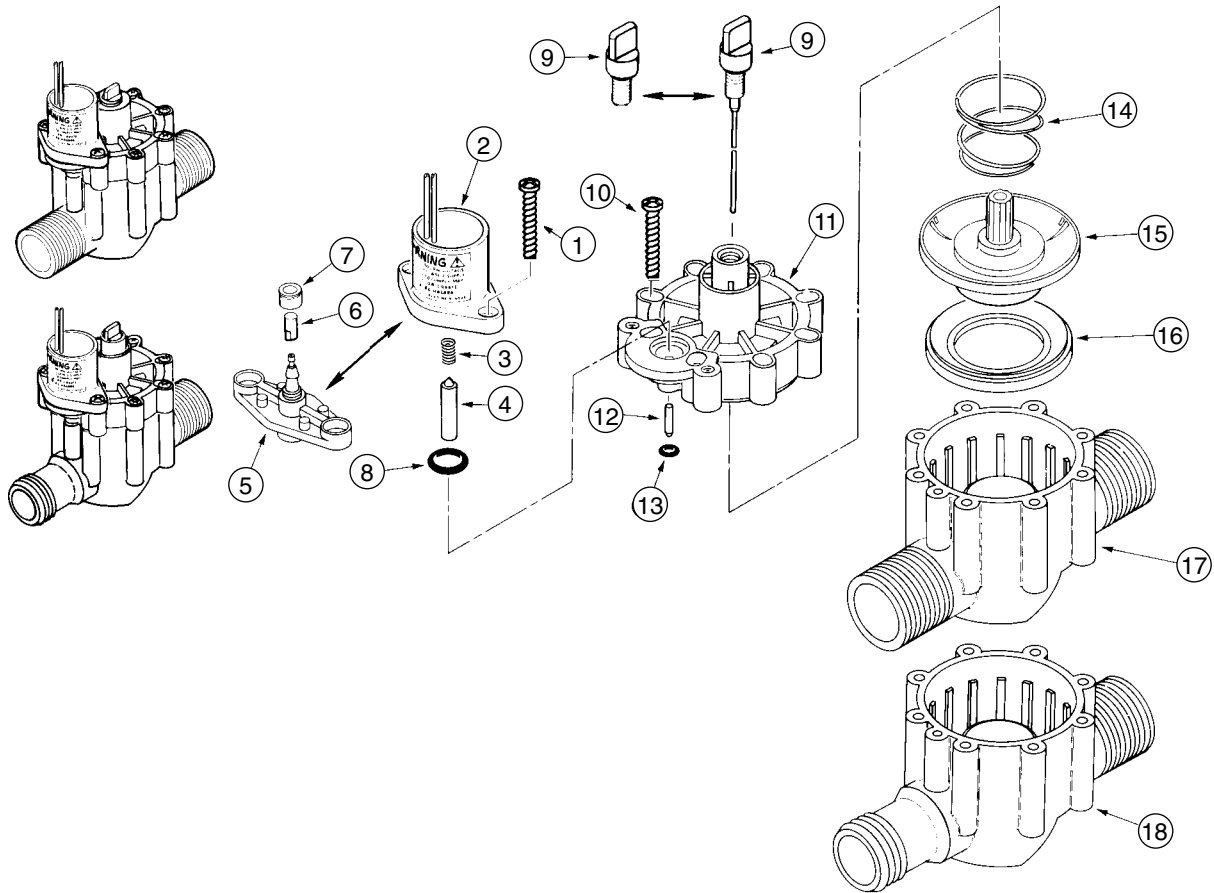


264 Series, 3/4 Inch



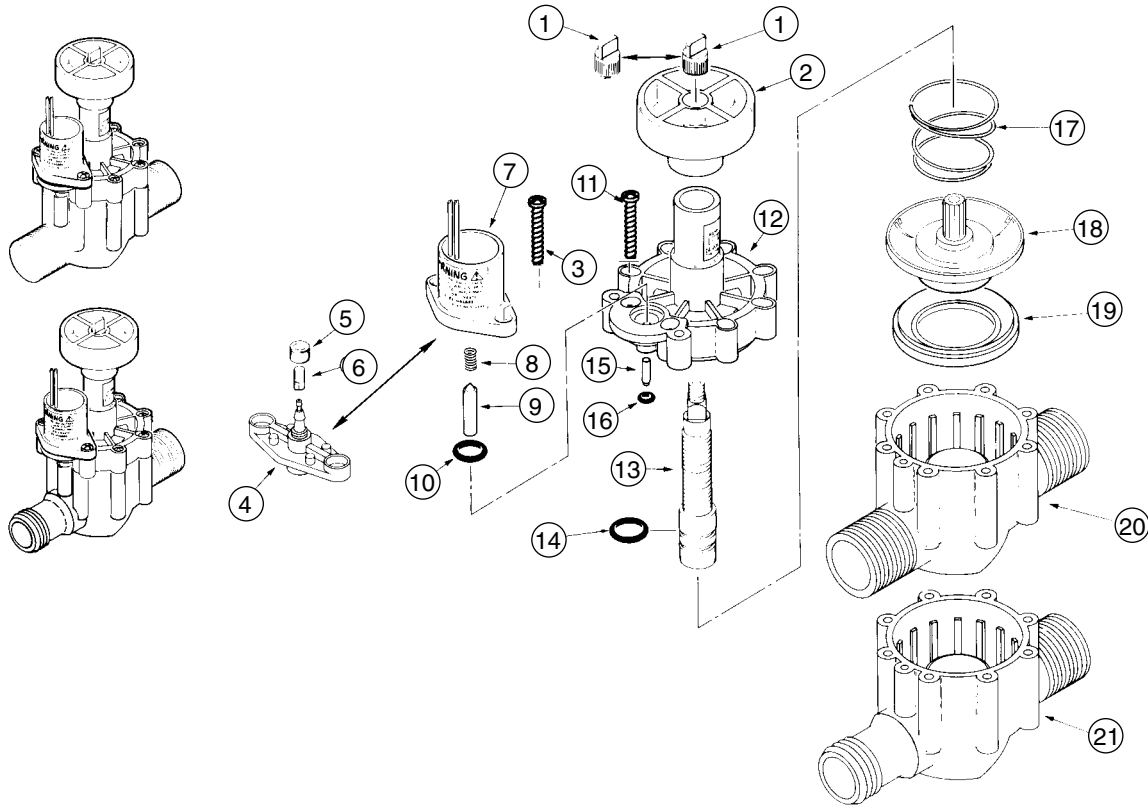
Item No.	Part No.	Description	Quantity Per Assy.
1	35-4889	Bleed Screw Assy. with Pin	1
2	363-1493	Screw, #10 x 1"	4
3	9-7413	Cap Assy.	1
4	9-6148	Spring, Plunger, Solenoid	1
5	9-6527	Plunger Assy.	1
6	9-7619	Spring, Diaphragm	1
7	35-8941	Diaphragm Assy. (Includes Item 8)	1
8	-----	Plug, Metering, Diaphragm	1
9	9-7835	Support, Diaphragm	1
10	9-7992	Body, Valve	1

264 Series, 1 Inch



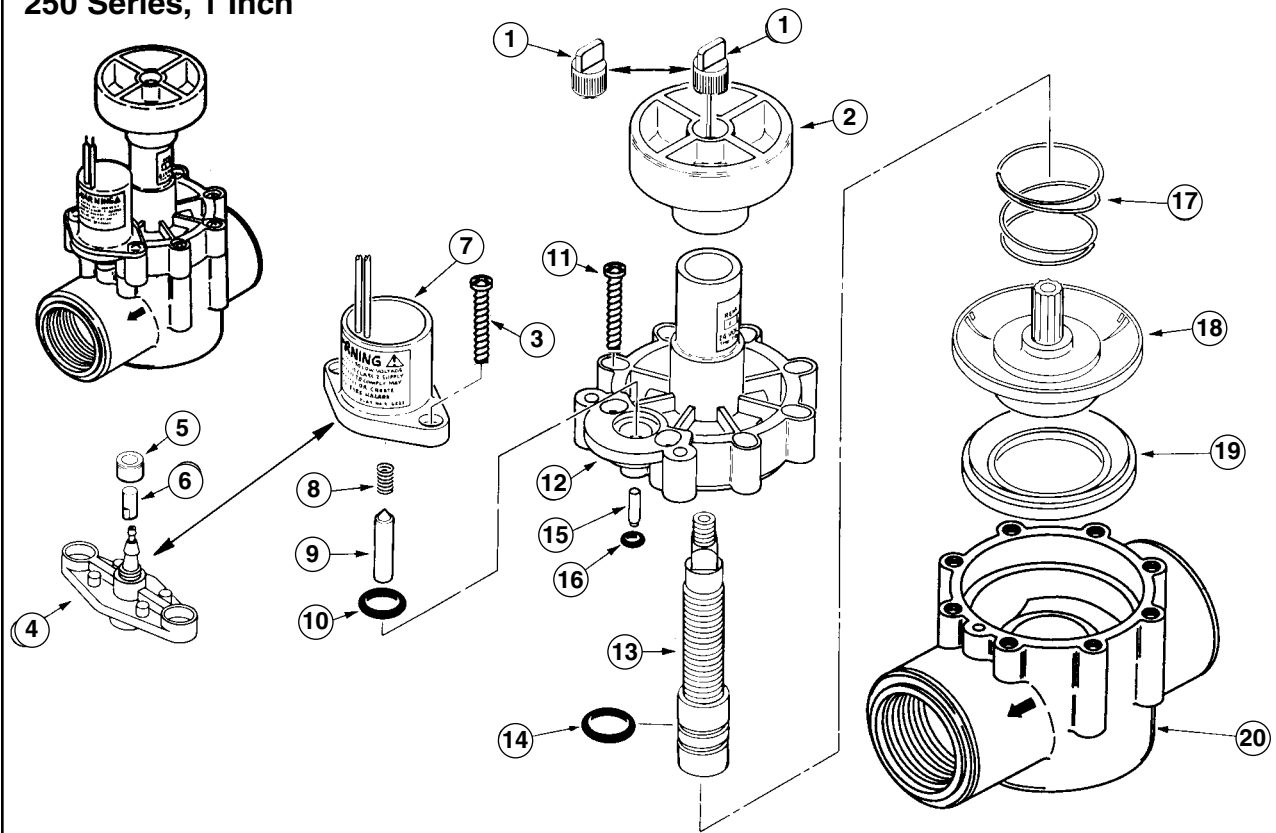
Item No.	Part No.	Description	Quantity Per Assy.
1	363-1493	Screw, #10 x 1"	2
2	-----	Solenoid Assy., EI (See Service Item 89-0878)	1
3	9-6148	Spring, Plunger, Solenoid, EI	1
4	9-6527	Plunger Assy., EI	1
5	35-3776	Adapter Assy., NO Hyd.	1
6	89-8157	Cap, 1/4", Poly, NO Hyd.	1
7	*900-40	Retainer, Tube, NO Hyd.	1
8	2-9652	O-Ring, 7/16" x 5/8", NO Hyd.	1
9	35-2941	Bleed Cap Assy., EI	1
9	102-2151	Bleed Cap, NO Hyd.	1
10	363-4007	Screw, #10 x 1"	8
11	9-8313	Cap Assy., EI	1
11	9-7291	Cap Assy., NO Hyd.	1
12	3-2016	Shaft, Idler, Lower, NO Hyd.	1
13	1-2035	O-Ring, .070" x .114" x .254"	1
14	9-7110	Spring, Diaphragm	1
15	35-2824	Diaphragm Assy., 1", EI	1
15	35-2943	Diaphragm Assy., 1", NO Hyd.	1
16	9-6331	Support, Diaphragm	1
17	9-8311	Body, M x M, NPT	1
18	35-1772	Body, M x B, NPT	1
		SERVICE PARTS AND ASSEMBLIES	
	89-0878	Solenoid & Plunger Assy., EI (Includes Items 2-4)	1
		* Order Through Finished Goods Distribution System—Minneapolis	

254 Series, 1 Inch



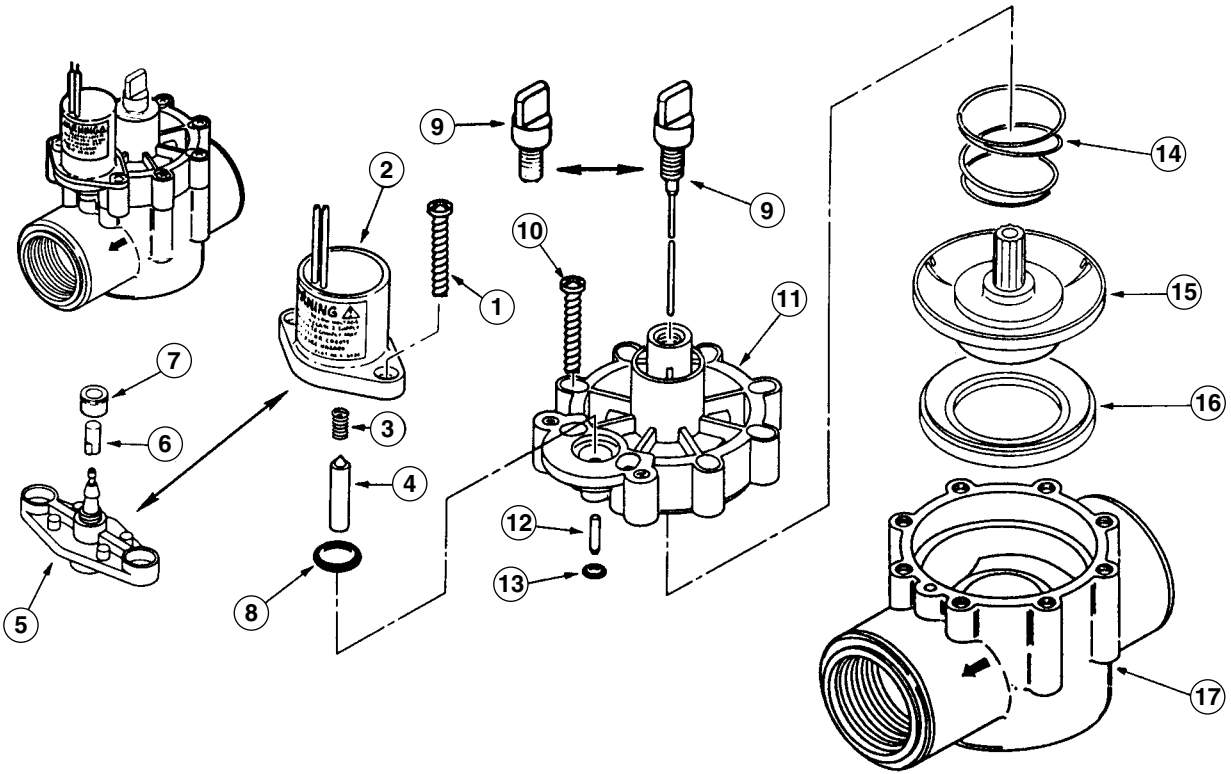
Item No.	Part No.	Description	Quantity Per Assy.
1	102-2152	Bleed Cap Assy. with Pin, EI	1
1	35-1748	Bleed Cap, NO Hyd.	1
2	35-3777	Knob, Handle, Cross	1
3	363-1493	Screw, #10 x 1"	2
4	35-3776	Adapter Assy., NO Hyd.	1
5	900-40	Retainer, Tube, NO Hyd.	1
6	89-8157	Cap, Poly, NO Hyd.	1
7	-----	Solenoid Assy., EI (See Service Items)	1
8	9-6148	Spring, Plunger, Solenoid, EI	1
9	9-6527	Plunger Assy.	1
10	2-9652	O-Ring, 7/16" x 5/8"	1
11	363-4007	Screw, #10 x 1"	8
12	35-4665	Cap, Valve, w/FC, EL	1
12	35-0767	Cap Assy. w/FC, NO Hyd.	1
13	35-1983	Stem, Flow Control	1
14	360-0220	O-Ring, .070" x .551" x .691"	1
15	3-2016	Shaft, Idler, Lower, NO Hyd.	1
16	1-2035	O-Ring, .070" x .114" x .254"	1
17	9-7110	Spring, Diaphragm, NO Hyd.	1
18	35-2943	Diaphragm Assy., 1", NO Hyd.	1
18	35-2824	Diaphragm Assy., 1", EI	1
19	9-6331	Support, Diaphragm	1
20	9-8311	Body Assy., M x M, 1"	1
21	35-1772	Body Assy., M x B, 1"	1
SERVICE PARTS AND ASSEMBLIES			
-	89-0878	Solenoid & Plunger Assy., EL (Includes Items 7-9)	
-	9-8182	Cap Assy., w/FC, EI (Includes Items 12-14)	
-	35-0767	Cap Assy., w/FC, NO Hyd. (Includes Items 12-14)	
-	35-9346	Bleed Cap Assy., Fast Closing w/Flow Control	
-	35-9354	Bleed Cap Assy., Fast Closing w/o Flow Control	

250 Series, 1 Inch



Item No.	Part No.	Description	Quantity Per Assy.
1	102-2152	Bleed Cap Assy. with Pin, EI	1
1	35-1748	Bleed Cap, NO and PT Hyd.	1
1	89-7855	Bleed Cap, Effluent	1
2	35-3777	Knob, Handle, Cross	1
3	363-1493	Screw, #10 x 1"	2
4	35-3776	Adapter, NO and PT Hyd.	1
5	*900-40	Retainer, Tube, NO and PT Hyd.	1
6	89-8157	Cap, Poly, NO and PT Hyd.	1
7	-----	Solenoid Assy., EI (See Service Items)	1
8	9-6148	Spring, Plunger, Solenoid, EI	1
9	9-6527	Plunger Assy., EI	1
10	2-9652	O-Ring, 7/16" x 5/8"	1
11	363-1493	Screw, #10 x 1"	8
12	9-8182	Cap Assy., EI	1
12	35-0767	Cap Assy., NO and PT Hyd. (Includes Items 13 and 14)	1
13	35-1983	Stem, Flow Control	1
14	360-0220	O-Ring, .070" x .551" x .691"	1
15	3-2016	Shaft, Idler, Lower, NO and PT Hyd.	1
16	1-2035	O-Ring, .070" x .114" x .254"	1
17	9-4425	Spring, Diaphragm, PT Hyd.	1
17	9-7110	Spring, Diaphragm, EL and NO Hyd.	1
18	35-2943	Diaphragm Assy., 1", NO Hyd.	1
18	35-2824	Diaphragm Assy., 1", EI	1
18	35-3655	Diaphragm Assy., 1", PT Hyd.	1
19	9-6331	Support, Diaphragm	1
20	9-6809	Body Assy., In-Line Globe, NPT	1
20	35-1970	Body Assy., In-Line Globe, BSP	1
		SERVICE PARTS AND ASSEMBLIES	
	89-0878	Solenoid & Plunger Assy., EI (Includes Items 7-9)	
	9-5197	Screen, Filter, 3/4" (Used with 35-3503 Diaphragm Assy.)	
	9-6548	Plug, Communication, Diaphragm(Used with 35-3655 Diaphragm Assy.)	
	35-9346	Bleed Cap Assy., Fast Closing with Flow Control	
	35-9354	Bleed Cap Assy., Fast Closing without Flow Control	
		* Order Through Finished Goods Distribution System—Minneapolis	

260 Series, 1 Inch



Item No.	Part No.	Description	Quantity Per Assy.
1	363-1493	Screw, #10 x 1"	2
2	-----	Solenoid Assy. (See Service Item 89-0878)	1
3	9-6148	Spring, Plunger, Solenoid	1
4	9-6527	Plunger Assy.	1
5	35-3776	Adapter, NO and PT Hyd.	1
6	89-8157	Cap, Poly, NO and PT Hyd.	1
7	*900-40	Retainer, Tube, NO and PT Hyd.	1
8	2-9652	O-Ring, 7/16" x 5/8"	1
9	35-2941	Bleed Screw Assy. w/Pin, EI	1
9	35-2673	Bleed Cap, NO and PT Hyd.	1
10	363-1493	Screw, #10 x 1"	8
11	9-8313	Cap, Valve without FC, EI	1
11	9-7291	Cap, Valve without FC, NO and PT Hyd.	1
12	3-2016	Shaft, Idler, Lower, NO and PT Hyd.	1
13	1-2035	O-Ring, .070" x .114" x .254"	1
14	9-7110	Spring, Diaphragm, EI and NO Hyd.	1
14	9-4425	Spring, Diaphragm, PT Hyd.	1
15	35-2943	Diaphragm Assy., 1", NO Hyd.	1
15	35-2824	Diaphragm Assy., 1", EL	1
15	35-3655	Diaphragm Assy., 1", PT Hyd.	1
16	9-6331	Support, Diaphragm	1
17	9-6809	Body Assy., Globe, NPT	1
17	35-1970	Body Assy., Globe, BSP	1
		SERVICE PARTS AND ASSEMBLIES	
	89-0878	Solenoid & Plunger Assy., EL (Includes Items 2-4)	1
	9-5197	Screen, Filter, 3/4" (Used with 35-3503 Diaphragm Assy.)	
	9-6548	Plug, Communication, Diaphragm (Used with 35-3655)	
	35-9346	Bleed Cap Assy. - Fast Closing w/Flow Control	
	35-9354	Bleed Cap Assy. - Fast Closing w/o Flow Control	
	9-6548	Plug, Communication, Diaphragm (Used with 35-3655)	1
		* Order Through Finished Goods Distribution System—Minneapolis	