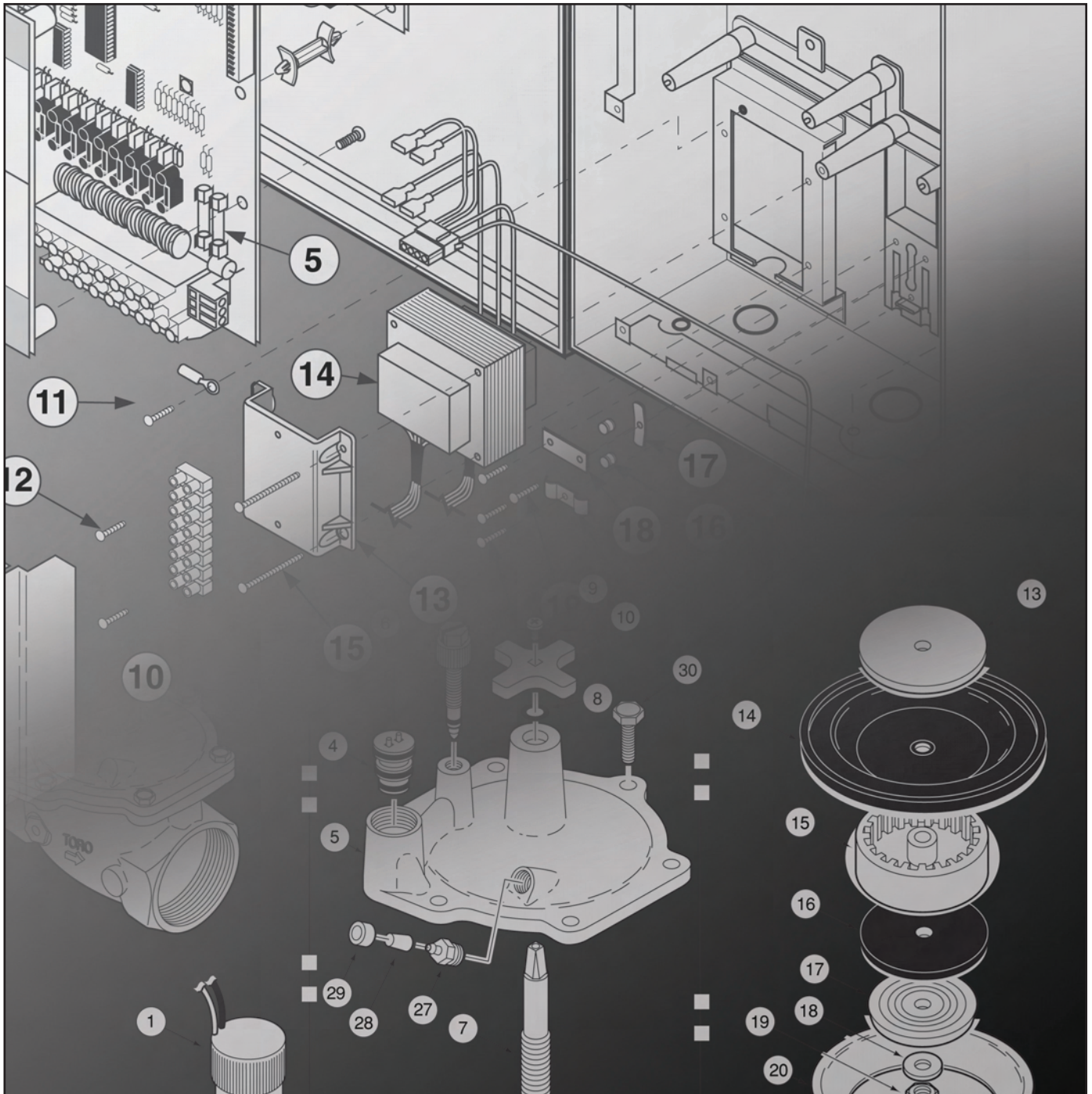


**TORO**

# 2010 Irrigation Products

## Illustrated Parts Breakout

**Count on it.**



## Golf Sprinklers Section

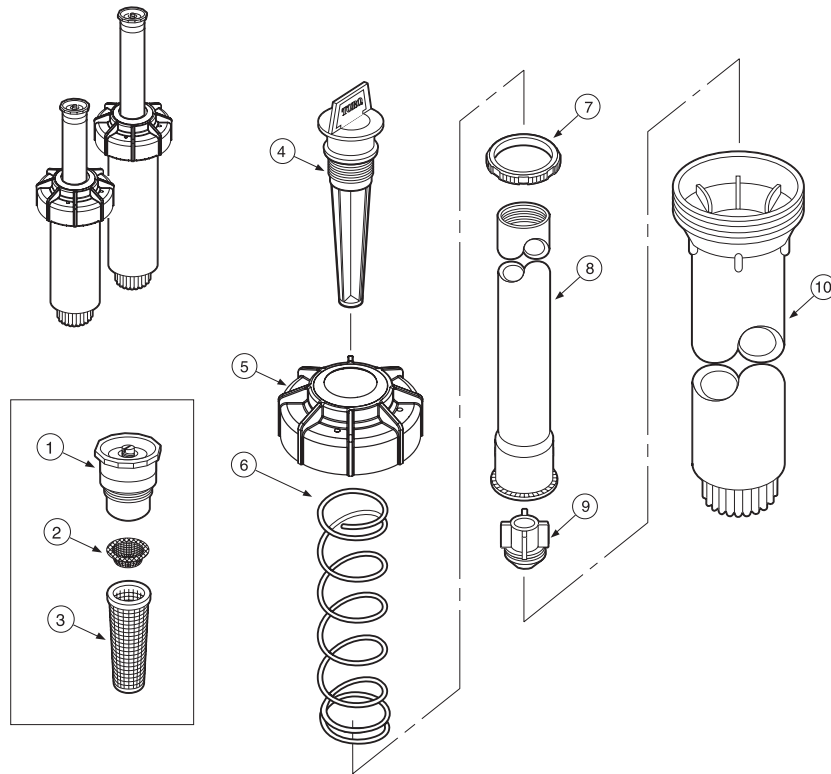
## GENERAL INFORMATION

Please note the following usage guidelines:

- When dashes (- - -) are shown in place of a part number, the part is either not available for sale or not sold separately. Refer to the accompanying Service Items listing for availability.
- An asterisk (\*) preceding a part number indicates the item is only available through the Toro Finished Goods Distribution System and must be ordered accordingly.
- This book is updated annually. The published part numbers and descriptions are subject to change. If changes and/or corrections are required, the updated information will be made available through the Toro Distributor Operations Bulletin and/or Tech Tip communications.
- Common abbreviations used within this publication:

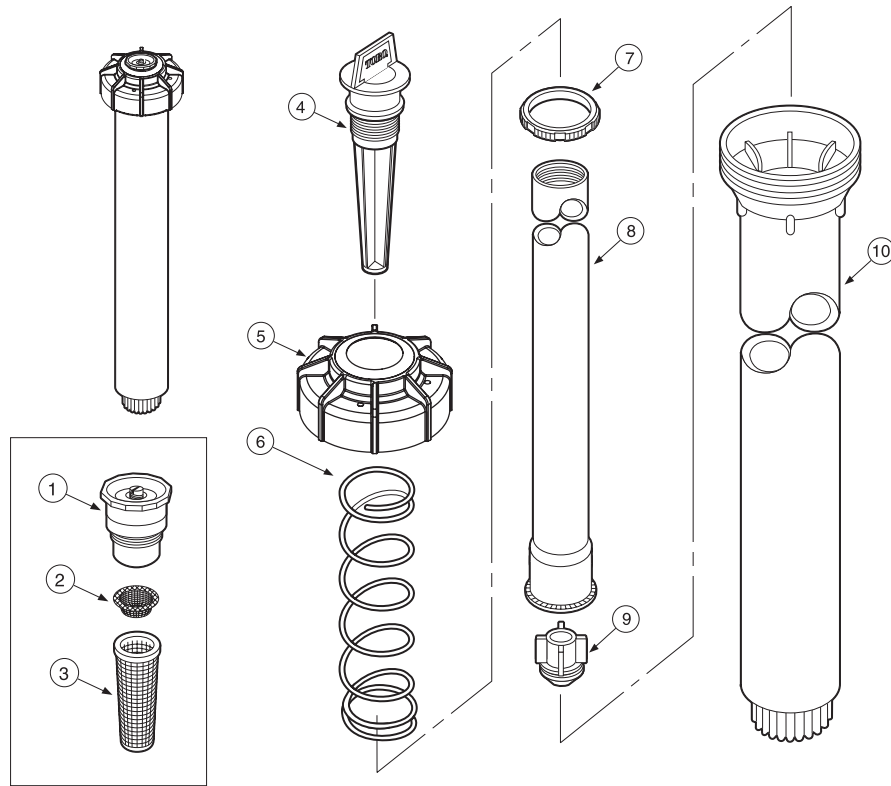
A	= Ampere	NO	= Normally Open (Micro Switch)
Amp	= Ampere	NPT	= National Pipe Thread
Assy.	= Assembly	PC	= Part Circle
ADJ	= Adjustable	Pot.	= Potentiometer
B	= Barbed	PV	= Pilot Valve
BSP	= British Standard Pipe	PHPH	= Pan Head Phillips Head
COM	= Check-O-Matic	PHFH	= Pan Head Fillister Head
CR	= Contamination Resistant	PT	= Pin Type (Hydraulic)
CSA	= Canadian Standards Association	PR	= Pressure Regulated
EL	= Electric	Prog.	= Program
Elec	= Electric	RC	= Rubber Cover
Exp	= Export	RPD	= Revolutions Per Day
F	= Female	RPM	= Revolutions Per Minute
FC	= Full Circle (Sprinkler)	S	= Slip
FC	= Flow Control (Valve)	SST	= Stainless Steel
GPM	= Gallons Per Minute	SI	= Side Inlet
Hyd.	= Hydraulic	Svc	= Service
Hz	= Hertz	TM	= Timing Mechanism
in.	= Inch	V	= Volts
Int.	= Internal	VAC	= Volts Alternating Current
Int. T	= Internal Tooth	VDC	= Volts Direct Current
L/	= Less	VA	= Volt Amps
lbs.	= Pounds	VIH	= Valve In Head
M	= Male	w/	= with
M/F	= Male/Female	w/o	= without
N/I	= Not Indicated	"	= Inches
NC	= Normally Closed (Hydraulic)	'	= Feet
NC	= Normally Closed (Micro Switch)		
NO	= Normally Open (Hydraulic)		

# 590G-4 & 590G-6



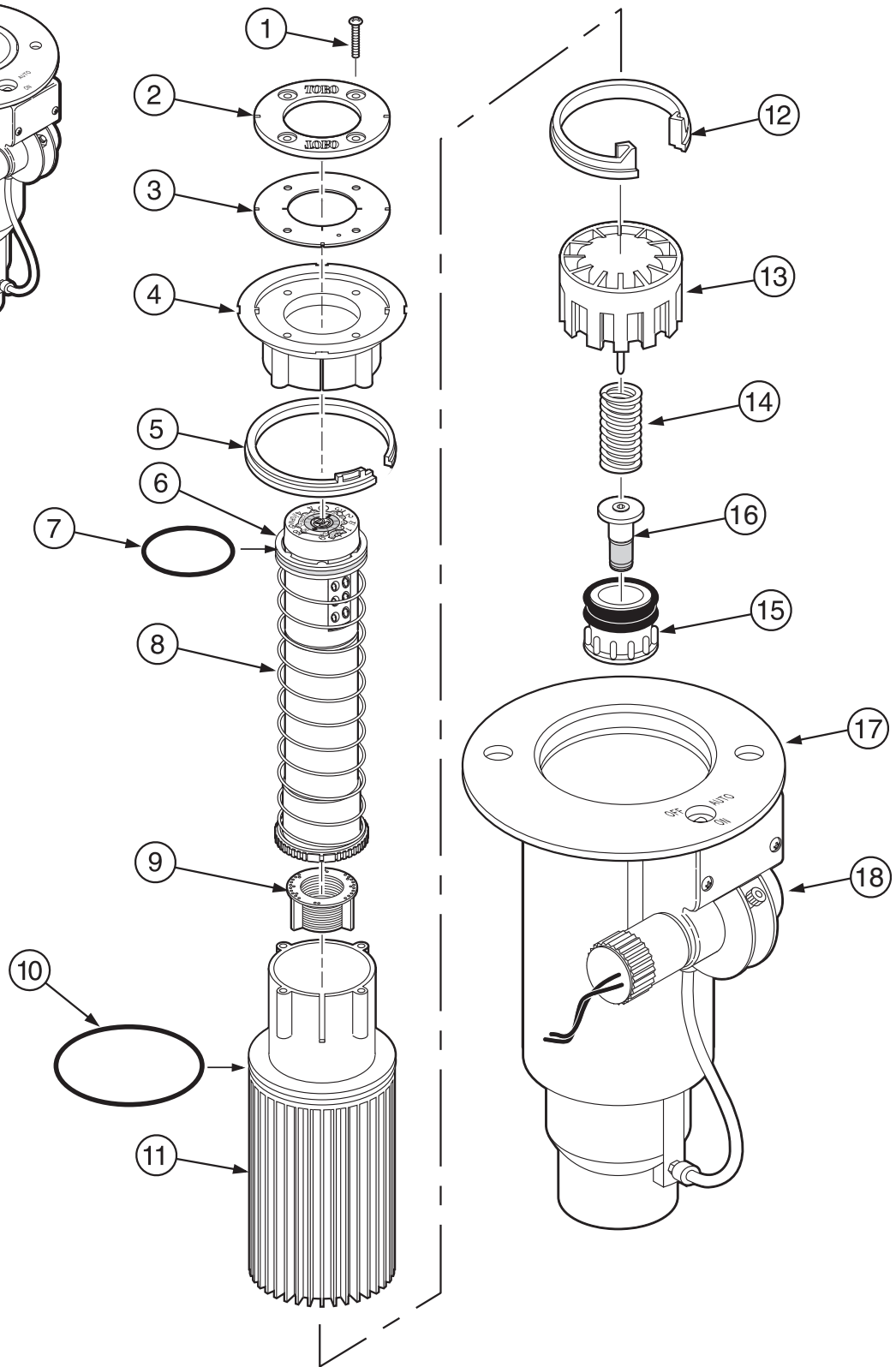
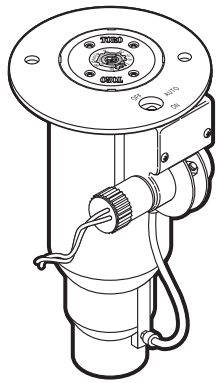
Item No.	Part No.	Description	Quantity Per Assy.
1	-----	Nozzle	1
2	89-5548	Screen, Filter, SST	1
3	9-5112	Screen, Riser (White Plastic, Regular Mesh)	1
3	89-8738	Screen, Riser (Red Plastic, Fine Mesh)	1
4	102-0621	Flush Plug, PRX & XF	1
5	102-1833	Cap, 590G	1
5	102-7660	Cap, Lavender	1
6	35-9632	Spring, 590G-4, COM	1
6	35-9633	Spring, 590G-6, COM	1
7	89-0463	Retainer, Spring	1
8	89-0969	Riser, 4"	1
8	89-0856	Riser, 6"	1
9	89-5896	COM Assy.	1
10	89-0968	Body, 4"	1
10	89-0970	Body, 6"	1
		<b>SERVICE ITEMS</b>	
	102-3995	XF Riser Assy., 4P, COM (Includes Items 4, 8 & 9)	
	102-3997	XF Riser Assy., 6P, COM (Includes Items 4, 8 & 9)	

# 590G-12



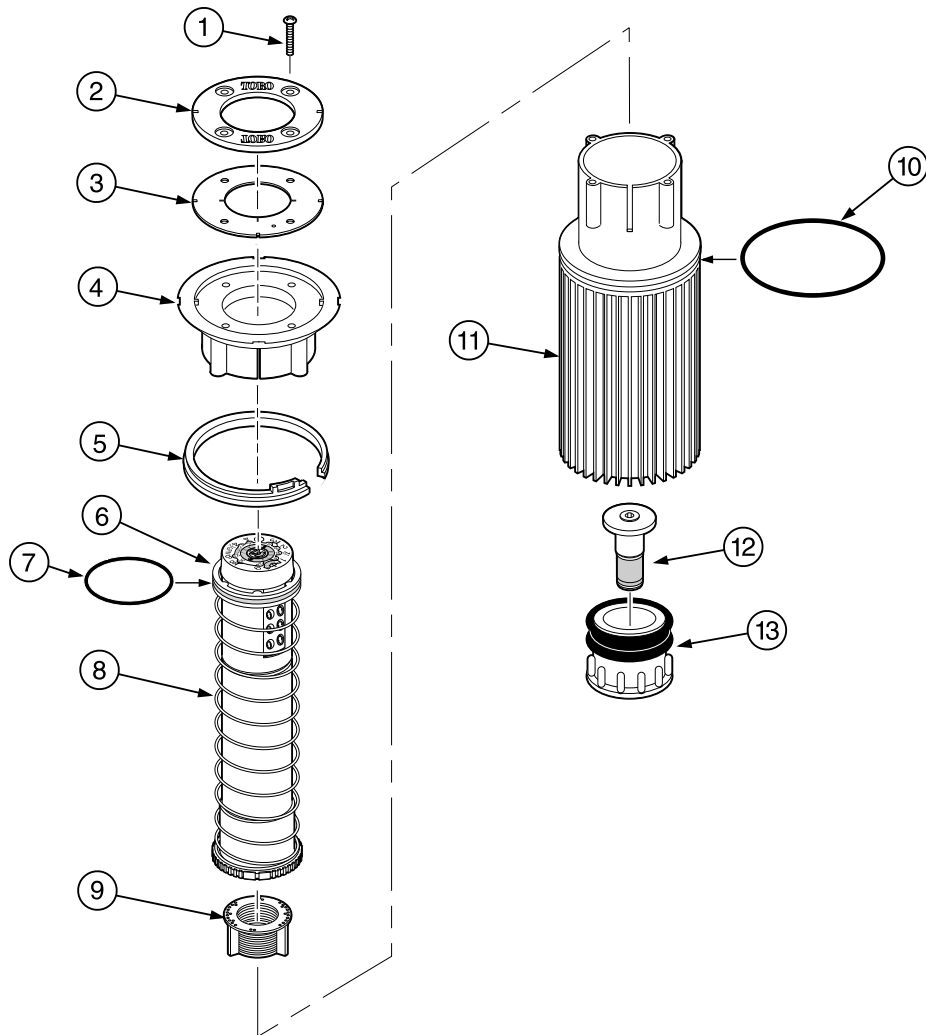
Item No.	Part No.	Description	Quantity Per Assy.
1	-----	Nozzle	1
2	89-5548	Screen, Filter, SST	1
3	9-5112	Screen, Riser (White Plastic, Regular Mesh)	1
3	89-8738	Screen, Riser (Red Plastic, Fine Mesh)	1
4	102-0621	Flush Plug, PRX & XF	1
5	102-1833	Cap, 590G	1
5	102-7660	Cap, Lavender	1
6	35-9634	Spring, Return, 590G-12, COM	1
7	89-0855	Ratchet	1
8	102-1246	Riser	1
9	89-5896	COM Assy.	1
10	9-7236	Body, 12"	1
		<b>SERVICE ITEMS</b>	
	102-3999	XF Riser Assy., 12P COM (Includes Items 4, 9 & 10)	

# 720 Series



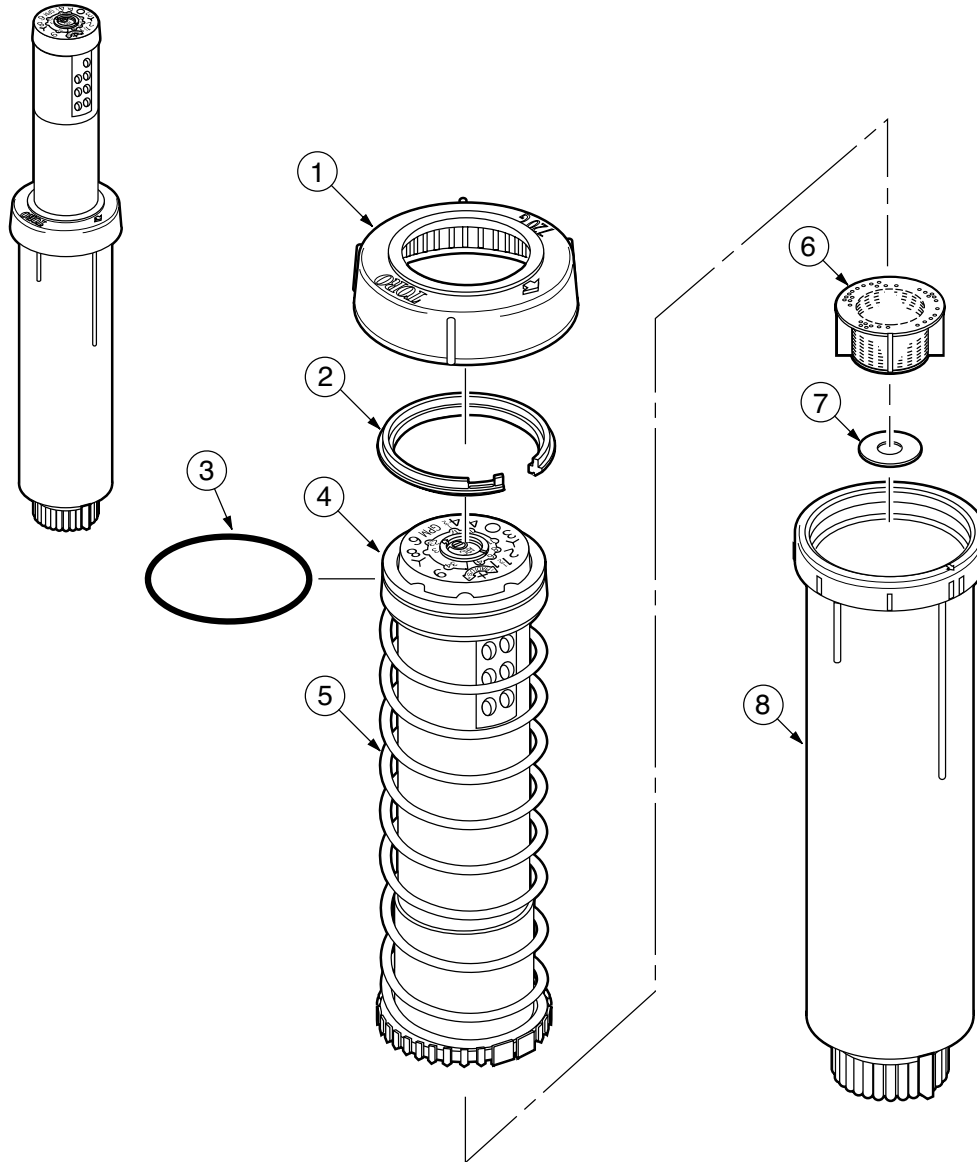
Item No.	Part No.	Description	Quantity Per Assy.
1	363-3864	Screw, #8-32 x 1"	4
2	102-0257	Retainer, Debris Seal	1
2	102-0258	Retainer, Debris Seal, Effluent	1
3	102-5385	Seal, Debris	1
4	89-9446	Support, Riser	1
5	89-1385	Snap Ring	1
6	102-0255	Retainer, O-Ring, 720	1
7	363-4195	O-Ring, 0.070" x 1.864" x 2.004" Buna	1
8	89-9725	Riser Assembly, PC (Includes Items 6–9)	1
8	89-9726	Riser Assembly, FC (Includes Items 6–9)	1
9	89-9428	Screen	1
10	363-4102	O-Ring, Paraffin AS-568 232	1
11	89-9443	Sleeve, Riser	1
12	89-4702	Snap Ring, Valve	1
13	9-1487	Cylinder Assy., EL	1
14	3-2633	Spring, NO, EL	1
15	102-0081	Piston Assy., EL, Low Flow (Includes Item 16)	1
16	35-9646	Filter Assy., Metering, EL, NC	1
17	-----	Body Assy. (See p. 102)	1
18	-----	Pilot Valve Assy. (See p. 109)	1
		<b>SERVICE ITEMS</b>	
	102-0082	Valve Assy., EL, Low Flow, (Includes Items 13–15)	
	*102-0108	Conversion Assy., 720 PC, Ribbed Body, (Includes Items 1–11, 15 & 16)	
	*102-0110	Conversion Assy., 720 PC, Ribbed Body, Effluent, (Includes Items 1–11, 15 & 16)	
	*102-0112	Conversion Assy., 720 FC, Ribbed Body, (Includes Items 1–11, 15 & 16)	
	*102-0114	Conversion Assy., 720 FC, Ribbed Body, Effluent, ((Includes Items 1–11, 15 & 16)	
		<b>SERVICE TOOLS</b>	
	995-15	Selector Tool (Flag Tool)	
	995-100	Valve Snap Ring Pliers with Screen Remover	
	995-08	Valve Removal Tool	
	995-76	Valve Installation Tool	
	995-83	Multi-purpose Tool	
	89-7350	Adjustment Key	
		* Order Through Finished Goods Distribution System—Minneapolis	

## 720 Series Conversion Assembly



Item No.	Part No.	Description	Quantity Per Assy.
	*102-0108	Conversion Assy., 720 PC, Ribbed Body, (Includes Items 1–13)	
	*102-0110	Conversion Assy., 720 PC, Ribbed Body, Effluent, (Includes Items 1–13)	
	*102-0112	Conversion Assy., 720 FC, Ribbed Body, (Includes Items 1–13)	
	*102-0114	Conversion Assy., 720 FC, Ribbed Body, Effluent, (Includes Items 1–13)	
1	363-3864	Screw, #8-32 x 1"	4
2	102-0257	Retainer, Debris Seal	1
2	102-0258	Retainer, Debris Seal, Effluent	1
3	102-5385	Seal, Debris	1
4	89-9446	Support, Riser, Ribbed Body	1
5	89-1385	Snap Ring	1
6	102-0255	Retainer, O-Ring, 720	1
7	363-4195	O-Ring, 0.070" x 1.739" x 1.879" Buna	1
8	89-9725	Riser Assembly, Part-circle (Includes Items 6–9)	1
8	89-9726	Riser Assembly, Full-circle (Includes Items 6–9)	1
9	89-9428	Screen	1
10	363-4102	O-Ring, Paraffin AS-568 232	1
11	89-9443	Sleeve, Riser	1
12	35-9646	Filter Assy., Metering, EL, NC	1
13	102-0081	Piston Assy., EL, Low Flow (Includes Item 12)	1
* Order Through Finished Goods Distribution System—Minneapolis			

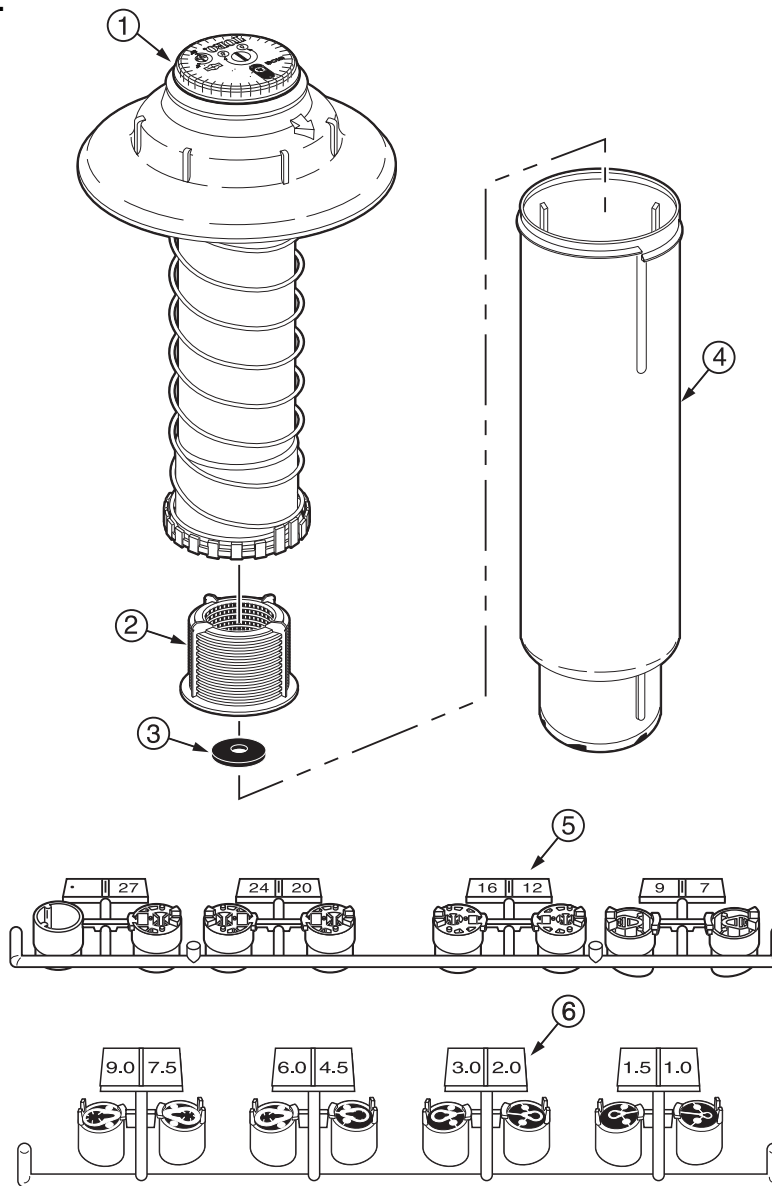
# 720G Series



Item No.	Part No.	Description	Quantity Per Assy.
1	102-2277	Cover, Rubber Body	1
1	102-2278	Cover, Rubber Body, Effluent	1
2	89-8657	Snap Ring	1
3	363-4195	O-Ring	1
4	-----	Retainer w/Seal, (See Service Item 102-2247)	1
5	*725G	Riser Assembly (Adjustable Part Circle)	1
5	*724G	Riser Assembly (Full-Circle)	1
5	*725GE	Riser Assembly (Adjustable Part-Circle, Effluent)	1
5	*724GE	Riser Assembly (Full-Circle, Effluent)	1
6	89-9428	Screen	1
7	89-7561	Seal, Check	1
8	89-8658	Body	1
		<b>SERVICE ITEMS</b>	
	102-2247	Retainer w/Seal Assembly (Includes Items 3 and 4)	
		<b>SERVICE TOOLS</b>	
	995-83	Multi-purpose Tool	
	89-7350	Adjustment Key	
		* Order Through Finished Goods Distribution System—Minneapolis	



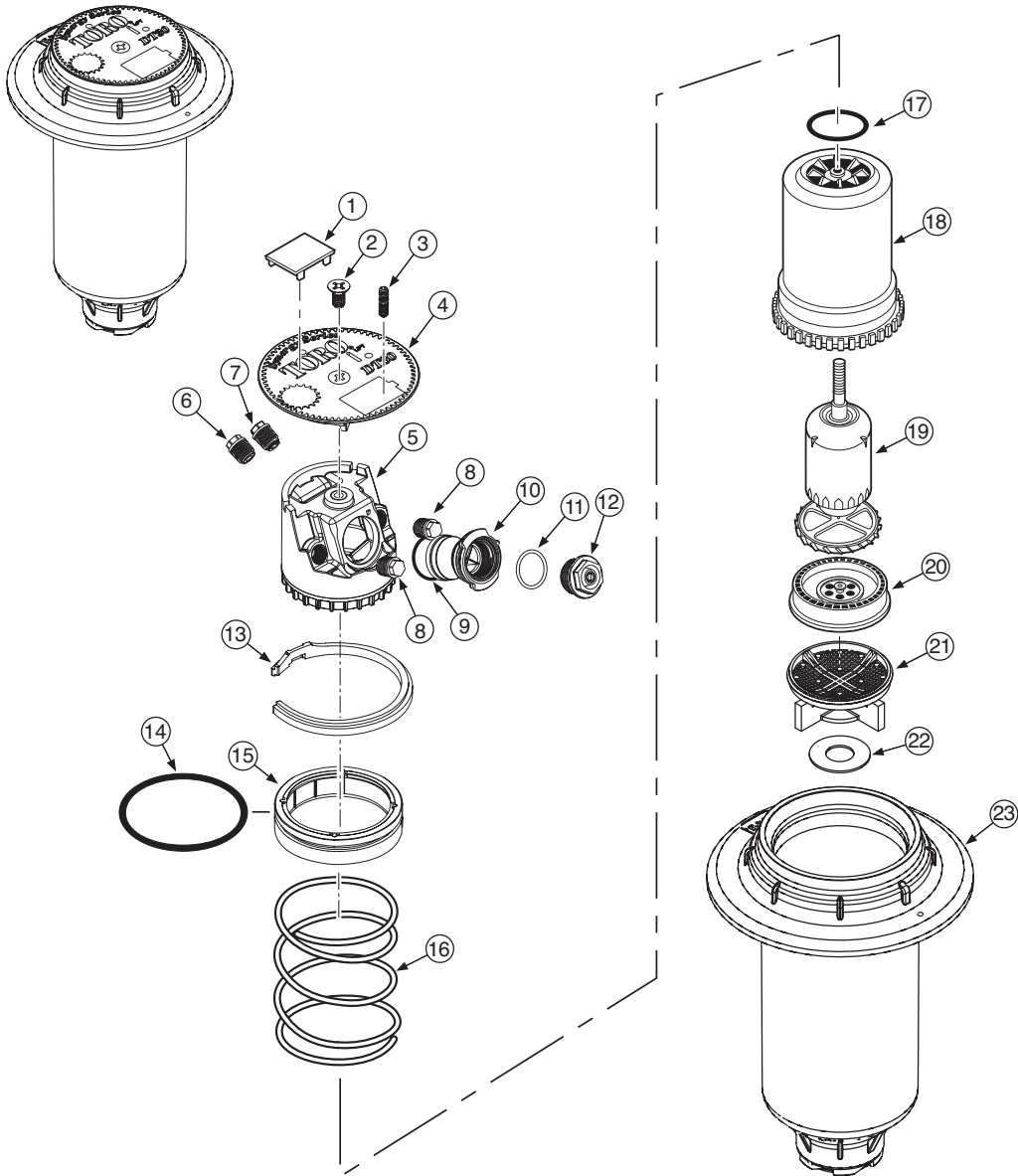
# 810G & 810GL



Item No.	Part No.	Description	Quantity
1	-----	Cap and Riser Assy. (Order Complete Sprinkler)	1
2	89-9182	Screen	1
3	89-9183	Seal, Check	1
4	102-3039	Body Assy., NPT Threads	1
4	102-3040	Body Assy., BSP Threads	1
4	102-3041	Body Assy., ACME Threads	1
5	102-2633	Tree, Nozzle, High Flow, 7-30 GPM, 810G	1
6	102-1877	Tree, Nozzle, Low Flow, 1-9 GPM, 810GL	1
	102-1303	<b>SERVICE TOOLS</b> Adjustment Tool	



# DT34B Series Sprinkler



## Model Number Information

<div style="display: flex; justify-content: space-around; align-items: center;"> <span style="border: 1px solid black; padding: 2px;">DT34B</span> <span style="border: 1px solid black; padding: 2px;">X</span> <span style="border: 1px solid black; padding: 2px;">2</span> <span style="border: 1px solid black; padding: 2px;">XXXX</span> <span style="border: 1px solid black; padding: 2px;">X</span> </div>					
<i>Body Inlet</i>	<i>Arc</i>	<i>Body Threads</i>	<i>Valve Type</i>	<i>Nozzles</i>	<i>Optional</i>
3—1"	4—Full Circle	0—NPT 4—ACME 5—BSP	2—Check-O-Matic	3134 3538	E—Effluent

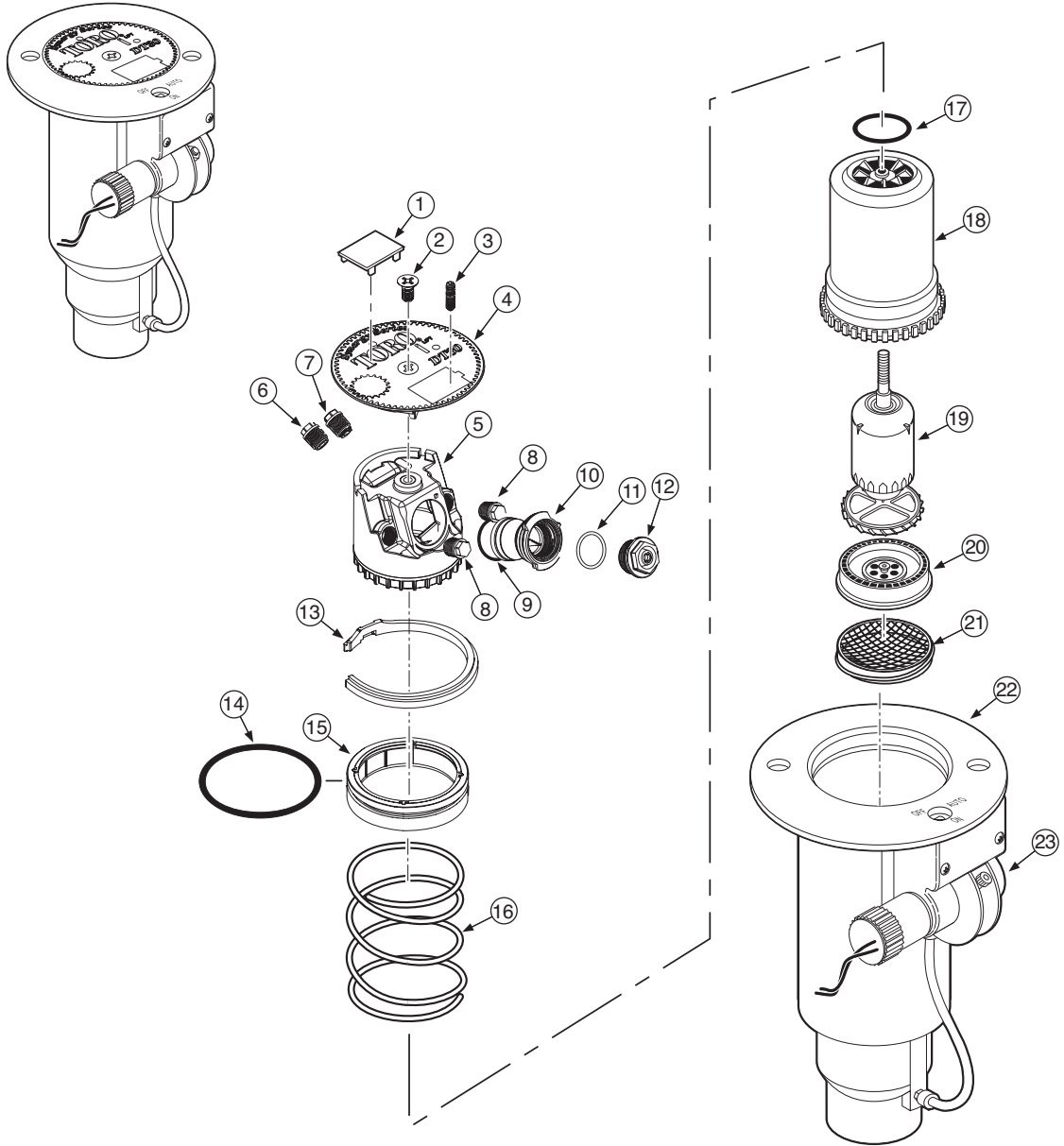
For Example:  
When specifying a DT34B Series Sprinkler with ACME threads, #34 nozzle,  
you would specify:

**DT34B-42-3134**

**Note:** For detailed model number availability and ordering information, refer to the Golf Finished Goods Price List (form no. 490-2844).

Item No.	Part No.	Description	Quantity Per Assy.
1	89-1589	Plug, Cap	1
2	102-0362	Screw, Cap	1
3	363-4839	Radius Reduction Screw	1
4	102-4752	Cap, DT34	1
4	102-5588	Cap, DT34, Effluent	1
5	102-5837	Nozzle Base Assembly	1
6	102-2925	Intermediate Nozzle, Blue (Used w/ #1 Main)	1
6	102-2926	Intermediate Nozzle, Orange (Used w/ #2 Main)	1
6	102-2928	Intermediate Nozzle, Red (Used w/ #3 Main)	1
6	102-2929	Intermediate Nozzle, Beige (Used w/ #4–5 Mains)	1
6	102-6944	Intermediate Nozzle Assy., Red w/ Stream Straightener (Used w/ #6 Main)	1
6	102-6945	Intermediate Nozzle Assy., Gray w/ Stream Straightener (Used w/ #7 & #8 Main)	1
6	102-6883	Intermediate Nozzle, Brown (Used w/ #7 & #8 main, front position on the right of main)	1
7	102-6937	Nozzle Assy. Inner, Yellow Nozzle w/ Yellow Helical Restrictor	1
8	102-4335	Nozzle Plug	2
9	102-5978	O-Ring, Nozzle Housing	1
10	102-5597	Nozzle Housing Assy. (Includes Item 9)	1
11	363-4104	O-Ring, Main Nozzle	1
12	102-0725	Nozzle, Main, #1 (Yellow)	1
12	102-7001	Nozzle, Main, #2 (Blue)	1
12	102-0727	Nozzle, Main, #3 (Brown)	1
12	102-7002	Nozzle, Main, #4 (Orange)	1
12	102-6908	Nozzle, Main, #5 (Green)	1
12	102-0730	Nozzle, Main, #6 (Gray)	1
12	102-4261	Nozzle, Main, #7 (Black)	1
12	102-4260	Nozzle, Main, #8 (Red)	1
13	89-1385	Snap Ring, Riser	1
14	363-4102	O-Ring, Body	1
15	102-0134	Retainer, Seal	1
16	102-0151	Spring, Return	1
17	363-4167	O-Ring, Nozzle Base	1
18	102-0202	Riser	1
19	102-4503	Drive Assembly, 12-Pack	1
20	102-6929	Stator Assembly, Low Flow, High Velocity, Blue (Used with #1–#4 Main Nozzles)	1
20	102-1940	Stator Assembly, Medium Flow, White (Used with #5–#8 Main Nozzles)	1
21	102-5152	Screen, Riser w/ Check Seal Holder	1
22	102-7437	Seal, Check	1
23	102-7419	Body, NPT	1
23	102-7420	Body, BSP	1
23	102-7421	Body, ACME	1
		<b>SERVICE ITEMS</b>	
	102-2208	Nozzle, Main, Blank, White	
	102-5672	Cap, Blank	
	102-5673	Cap, Blank, Effluent	
	89-4735	Yardage Marker, Yellow (10 Sheets per Pak)	
		<b>SERVICE TOOLS</b>	
	995-99	Nut Driver, 5/8" (For Main Nozzle)	
	995-105	Nut Driver, 5/16" (For Inner & Intermediate Nozzles and Plugs)	
	995-83	Multi-purpose Tool	
	995-85	Riser Removal Tool	
	995-102	Riser Hold-up Tool, Universal	

# DT34 Series Sprinkler



## Model Number Information

DT34						
Body Inlet	Arc	Body Threads	Valve Type	Nozzle	Pressure Regulation*	Optional
3—1"	4—Full circle	0—NPT 4—ACME 5—BSP	1—NO Hydraulic 2—Check-O-Matic 6—Electric	31 32 33 34 35 36 37	6—65 psi (4,5 Bar) 8—80 psi (5,5 Bar) 1—100 psi (6,9 Bar)	E—Effluent DL—Decoder N—Ni Plated Sol.

For Example:  
When specifying a DT34 Series Sprinkler with ACME threads, #34 nozzle,  
an electric valve and pressure regulation at 65 psi (4,5 Bar), you would specify:

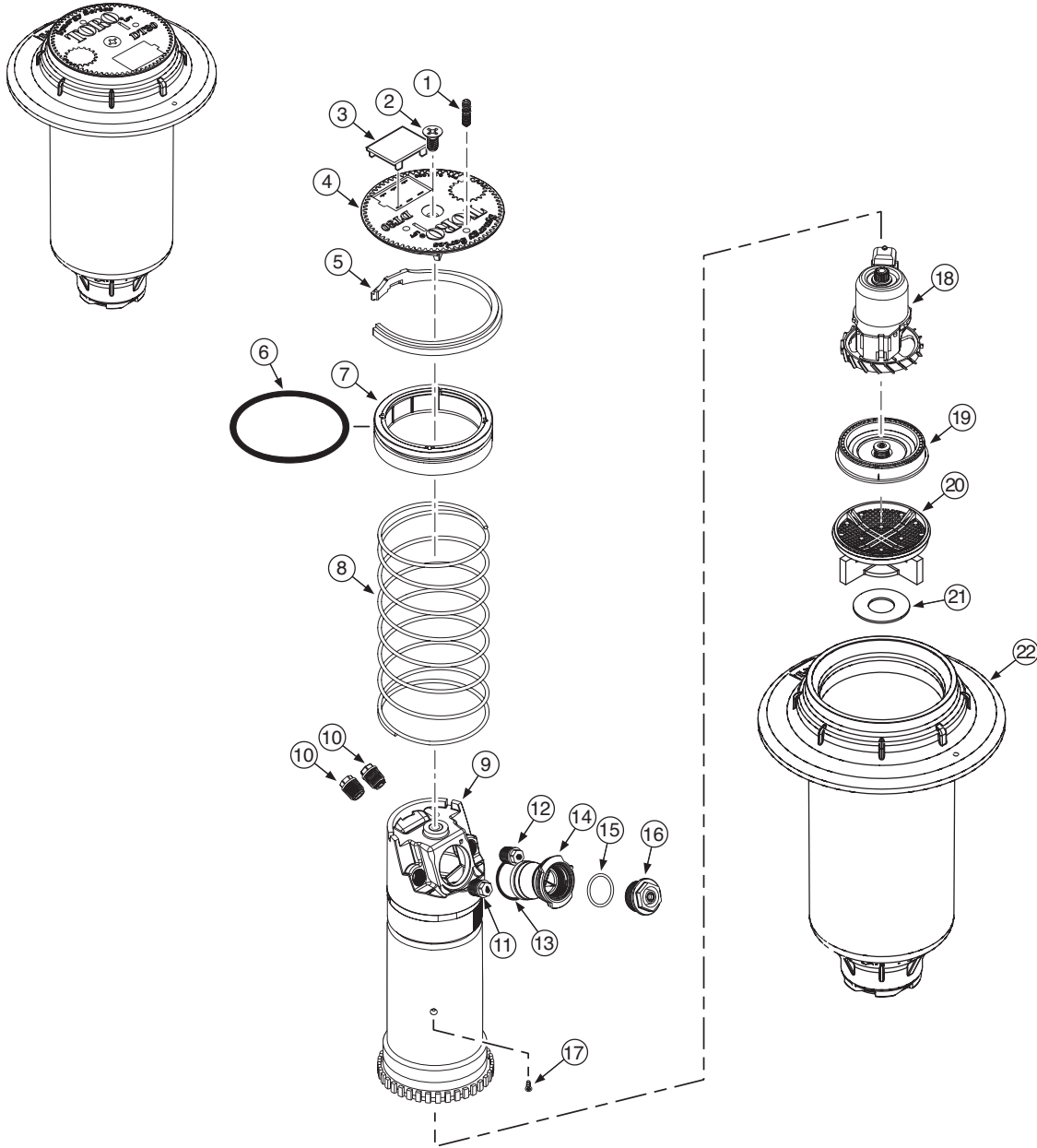
**DT34-46-346**

**Note:** For detailed model number availability and ordering information, refer to the Golf Finished Goods Price List (form no. 490-2844).

\* Pressure Regulation available on Electric VIH models only.

Item No.	Part No.	Description	Quantity Per Assy.
1	89-1589	Plug, Cap	1
2	102-0362	Screw, Cap	1
3	363-4839	Radius Reduction Screw	1
4	102-4752	Cap, DT34	1
4	102-5588	Cap, DT34, Effluent	1
5	102-5837	Nozzle Base Assembly	1
6	102-2925	Intermediate Nozzle, Blue (Used w/ #1 Main)	1
6	102-2926	Intermediate Nozzle, Orange (Used w/ #2 Main)	1
6	102-2928	Intermediate Nozzle, Red (Used w/ #3 Main)	1
6	102-2929	Intermediate Nozzle, Beige (Used w/ #4–5 Mains)	1
6	102-6944	Intermediate Nozzle Assy., Red w/ Stream Straightener (Used w/ #6 Main)	1
6	102-6945	Intermediate Nozzle Assy., Gray w/ Stream Straightener (Used w/ #7 Main)	1
6	102-6883	Intermediate Nozzle, Brown (Used w/ #7 main, front position on the right of main)	1
7	102-6937	Nozzle Assy. Inner, Yellow Nozzle w/ Yellow Helical Restrictor	1
8	102-4335	Nozzle Plug	2
9	102-5978	O-Ring, Nozzle Housing	1
10	102-5597	Nozzle Housing Assy. (Includes Item 9)	1
11	363-4104	O-Ring, Main Nozzle	1
12	102-0725	Nozzle, Main, #1 (Yellow)	1
12	102-7001	Nozzle, Main, #2 (Blue)	1
12	102-0727	Nozzle, Main, #3 (Brown)	1
12	102-7002	Nozzle, Main, #4 (Orange)	1
12	102-6908	Nozzle, Main, #5 (Green)	1
12	102-0730	Nozzle, Main, #6 (Gray)	1
12	102-4261	Nozzle, Main, #7 (Black)	1
13	89-1385	Snap Ring, Riser	1
14	363-4102	O-Ring, Body	1
15	102-0134	Retainer, Seal	1
16	102-0151	Spring, Return	1
17	363-4167	O-Ring, Nozzle Base	1
18	102-0202	Riser	1
19	102-4503	Drive Assembly, 12-Pack	1
20	102-6929	Stator Assembly, Low Flow, High Velocity, Blue (Used with #1–#4 Main Nozzles)	1
20	102-1940	Stator Assembly, Medium Flow, White (Used with #5–#7 Main Nozzles)	1
21	102-1715	Screen, Riser	1
22	-----	Body Assembly (See p. 102)	1
23	-----	Pilot Valve Assembly (See p. 109)	1
		<b>SERVICE ITEMS</b>	
	102-2208	Nozzle, Main, Blank, White	
	102-5672	Cap, Blank	
	102-5673	Cap, Blank, Effluent	
	89-4735	Yardage Marker, Yellow (10 Sheets per Pak)	
	*DT34-3134	Conversion, Full Circle, w/ #31, #32, #33 & #34 Nozzles	
	*DT34-3134E	Conversion, Full Circle, w/ #31, #32, #33 & #34 Nozzles and Effluent (Lavender) Cap	
	*DT34-3537	Conversion, Full Circle, w/ #35, #36 & #37 Nozzles	
	*DT34-3537E	Conversion, Full Circle, w/ #35, #36 & #37 Nozzles and Effluent (Lavender) Cap-	
		<b>SERVICE TOOLS</b>	
	995-08	Valve Removal Tool	
	995-76	Valve Insertion Tool	
	995-15	Selector Tool (Flag Key)	
	995-99	Nut Driver, 5/8" (For Main Nozzle)	
	995-105	Nut Driver, 5/16" (For Inner & Intermediate Nozzles and Plugs)	
	995-83	Multi-purpose Tool	
	995-85	Riser Removal Tool	
	995-100	Valve Snap Ring Pliers with Screen Remover	
	995-102	Riser Hold-up Tool, Universal	
		* Order Through Finished Goods Distribution System—Minneapolis	

# DT35B Series Sprinkler



## Model Number Information

<div style="display: flex; justify-content: space-around; align-items: center;"> <span style="border: 1px solid black; padding: 2px;">DT35B</span> <span style="border: 1px solid black; padding: 2px;">X</span> <span style="border: 1px solid black; padding: 2px;">2</span> <span style="border: 1px solid black; padding: 2px;">XXXX</span> <span style="border: 1px solid black; padding: 2px;">X</span> </div>					
<i>Body Inlet</i>	<i>Arc</i>	<i>Body Threads</i>	<i>Valve Type</i>	<i>Nozzles</i>	<i>Optional</i>
3—1"	5—Full and Part circle	0—NPT 4—ACME 5—BSP	2—Check-O-Matic	3134 3538	E—Effluent

For Example:  
When specifying a DT35B Series Sprinkler with ACME threads, #34 nozzle,  
you would specify:

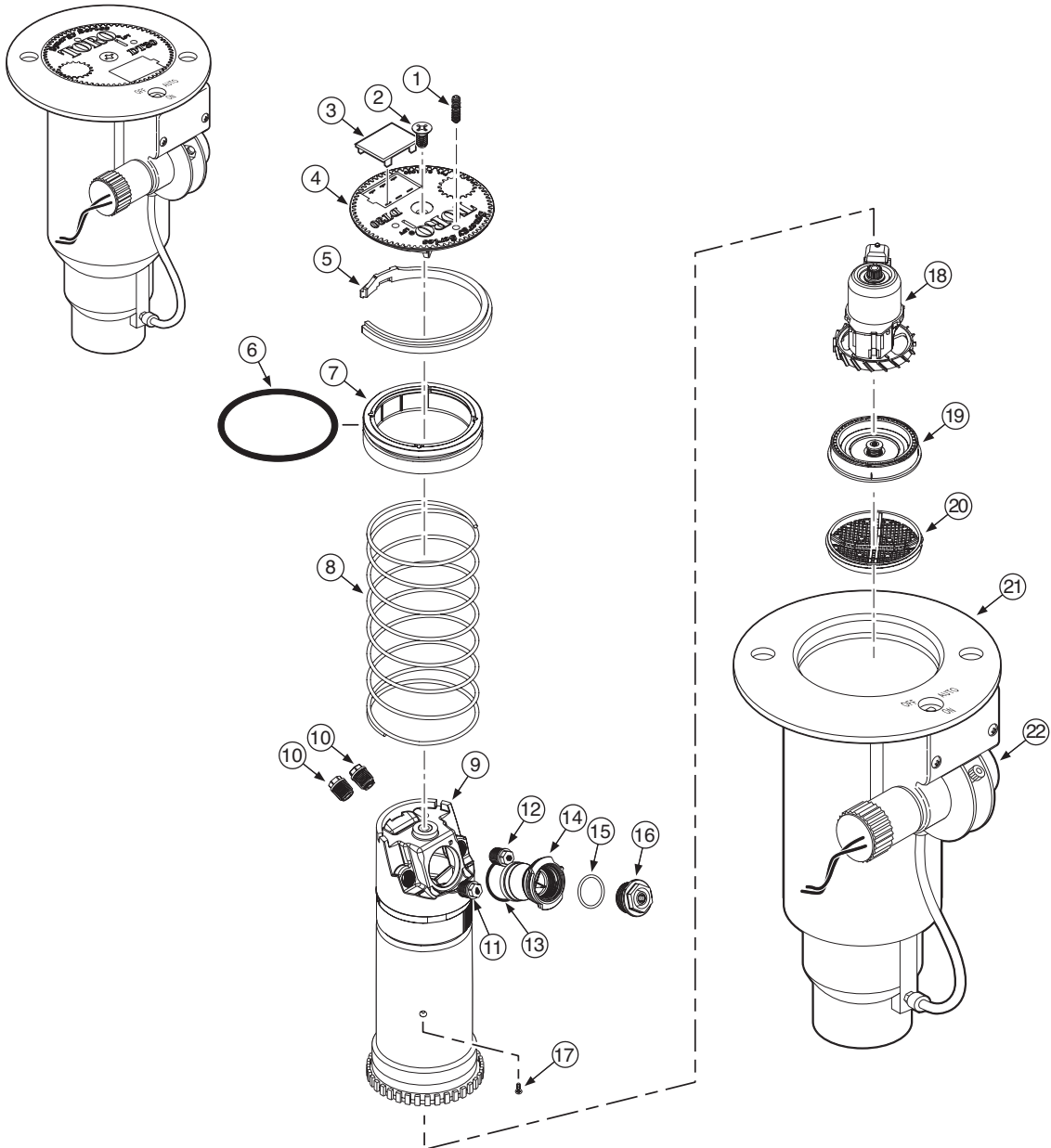
**DT35B-42-3134**

**Note:** For detailed model number availability and ordering information, refer to the Golf Finished Goods Price List (form no. 490-2844).

Item No.	Part No.	Description	Quantity Per Assy.
1	363-4839	Radius Reduction Screw	1
2	102-6138	Screw, Cap, Black	1
3	89-1589	Plug, Cap	1
4	102-4752	Cap, DT35	1
4	102-5588	Cap, DT35, Effluent	1
5	89-4702	Snap Ring, Riser	1
6	363-4102	O-Ring, Body	1
7	102-0134	Retainer, Seal	1
8	102-0151	Spring, Return	1
9	102-5730	Riser Assembly	1
10	102-4335	Nozzle Plug	2
11	102-5670	Nozzle Assy. Inner, Yellow w/ White Helical Restrictor (Used w/ #0-#5 Mains)	1
11	102-6531	Nozzle Assy., Inner, Green w/ White Helical Restrictor (Used w/ #6, #7 & #8 Mains)	1
12	102-6942	Intermediate Nozzle Assy., Beige w/ Stream Straightener (Used w/ #0 Main)	1
12	102-5671	Intermediate Nozzle Assy., Brown w/ Stream Straightener (Used w/ #1 Main)	1
12	102-6884	Intermediate Nozzle, Yellow (Used w/ #2-#4 Mains)	1
12	102-6885	Intermediate Nozzle, Green (Used w/ #5-#8 Mains)	1
13	102-5978	O-Ring, Nozzle Housing	1
14	102-5597	Nozzle Housing Assy. (Includes Item 13)	1
15	363-4104	O-Ring, Main Nozzle	1
16	102-2208	Nozzle, Main, #0, Blank (White)	1
16	102-6906	Nozzle, Main, #1 (Yellow)	1
16	102-0726	Nozzle, Main, #2 (Blue)	1
16	102-6907	Nozzle, Main, #3 (Brown)	1
16	102-0728	Nozzle, Main, #4 (Orange)	1
16	102-6955	Nozzle, Main, #5 (Green)	1
16	102-6935	Nozzle, Main, #6 (Gray)	1
16	102-6936	Nozzle, Main, #7 (Black)	1
16	102-4260	Nozzle, Main, #8 (Red)	1
17	363-4236	Screw, Drive	1
18	102-4504	Drive Assembly, 12-Pack	1
19	102-6929	Stator Assembly, Low Flow, High Velocity, Blue (Used with #0 Main Nozzle)	1
19	102-1939	Stator Assembly, Low Flow, Yellow (Used with #1-#4 Main Nozzles)	1
19	102-1940	Stator Assembly, Medium Flow, White (Used with #5-#8 Main Nozzles)	1
20	102-5152	Screen, Riser, w/ Check Seal Holder	1
21	102-7437	Seal, Check	1
22	102-7419	Body, NPT	1
22	102-7420	Body, BSP	1
22	102-7421	Body, ACME	1
		<b>SERVICE ITEMS</b>	
	102-5672	Cap, Blank	
	102-5673	Cap, Blank, Effluent	
	89-4735	Yardage Marker, Yellow (10 Sheets per Pak)	
		<b>SERVICE TOOLS</b>	
	995-99	Nut Driver, 5/8" (For Main Nozzle)	
	995-105	Nut Driver, 5/16" (For Inner & Intermediate Nozzles and Plugs)	
	995-83	Multi-purpose Tool	
	995-85	Riser Removal Tool	
	995-102	Riser Hold-up Tool, Universal	



# DT35 Series Sprinkler



## Model Number Information

DT35						
Body Inlet	Arc	Body Threads	Valve Type	Nozzle	Pressure Regulation*	Optional
3—1"	5—Full and Part circle	0—NPT 4—ACME 5—BSP	1—NO Hydraulic 2—Check-O-Matic 6—Electric	30 31 32 33 34 35 36 37	6—65 psi (4,5 Bar) 8—80 psi (5,5 Bar) 1—100 psi (6,9 Bar)	E—Effluent DL—Decoder N—Ni Plated Sol.

For Example:  
When specifying a DT35 Series Sprinkler with ACME threads, #34 nozzle, an electric valve and pressure regulation at 65 psi (4,5 Bar), you would specify:

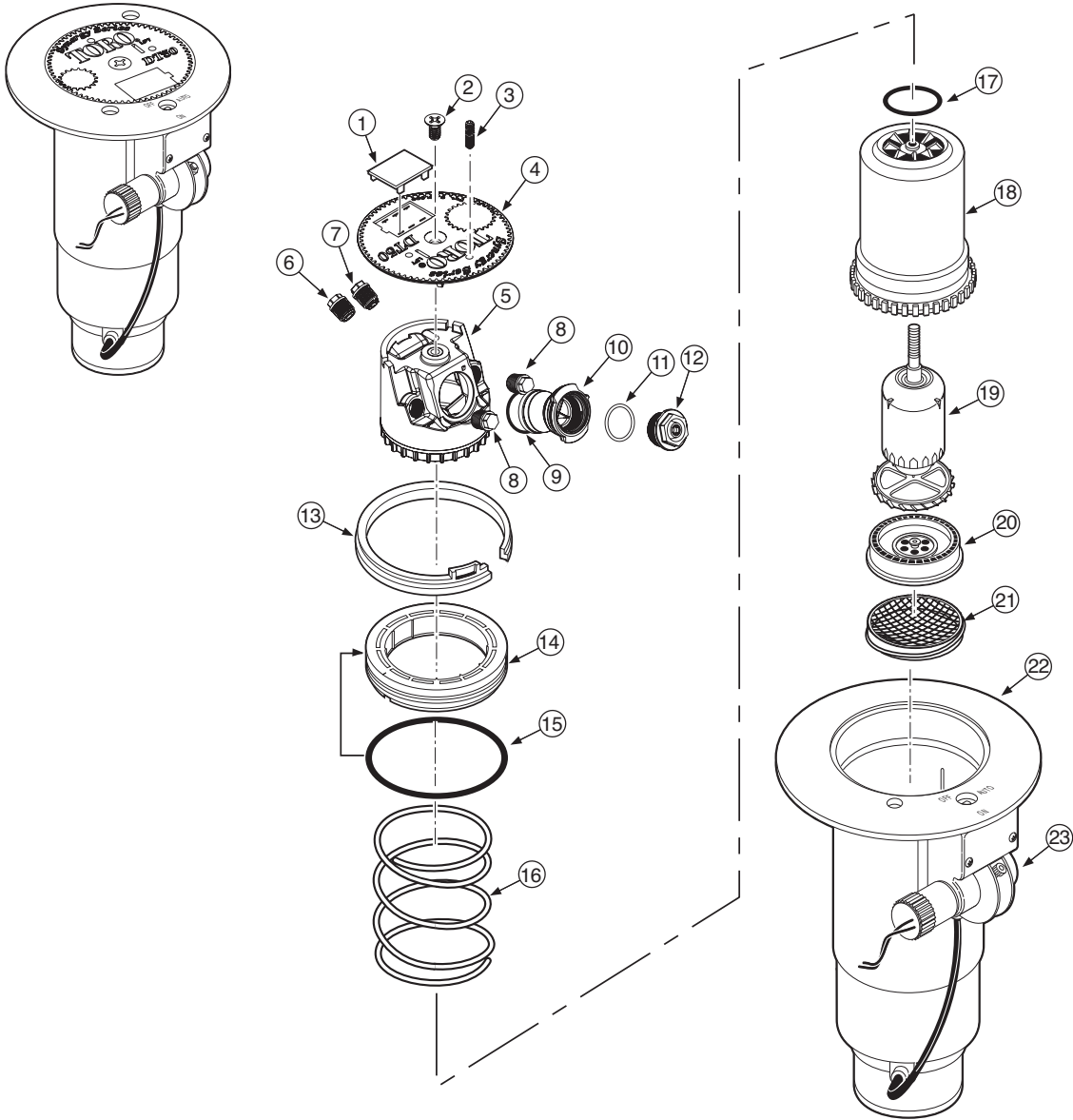
**DT35-46-346**

**Note:** For detailed model number availability and ordering information, refer to the Golf Finished Goods Price List (form no. 490-2844).

\* Pressure Regulation available on Electric VIH models only.

Item No.	Part No.	Description	Quantity Per Assy.
1	363-4839	Radius Reduction Screw	1
2	102-6138	Screw, Cap, Black	1
3	89-1589	Plug, Cap	1
4	102-4752	Cap, DT35	1
4	102-5588	Cap, DT35, Effluent	1
5	89-4702	Snap Ring, Riser	1
6	363-4102	O-Ring, Body	1
7	102-0134	Retainer, Seal	1
8	102-0151	Spring, Return	1
9	102-5730	Riser Assembly	1
10	102-4335	Nozzle Plug	2
11	102-5670	Nozzle Assy. Inner, Yellow w/ White Helical Restrictor (Used w/ #0-#5 Mains)	1
11	102-6531	Nozzle Assy., Inner, Green w/ White Helical Restrictor (Used w/ #6 & #7 Mains)	1
12	102-6942	Intermediate Nozzle Assy., Beige w/ Stream Straightener (Used w/ #0 Main)	1
12	102-5671	Intermediate Nozzle Assy., Brown w/ Stream Straightener (Used w/ #1 Main)	1
12	102-6884	Intermediate Nozzle, Yellow (Used w/ #2-#4 Mains)	1
12	102-6885	Intermediate Nozzle, Green (Used w/ #5-#7 Mains)	1
13	102-5978	O-Ring, Nozzle Housing	1
14	102-5597	Nozzle Housing Assy. (Includes Item 13)	1
15	363-4104	O-Ring, Main Nozzle	1
16	102-2208	Nozzle, Main, #0, Blank (White)	1
16	102-6906	Nozzle, Main, #1 (Yellow)	1
16	102-0726	Nozzle, Main, #2 (Blue)	1
16	102-6907	Nozzle, Main, #3 (Brown)	1
16	102-0728	Nozzle, Main, #4 (Orange)	1
16	102-6955	Nozzle, Main, #5 (Green)	1
16	102-6935	Nozzle, Main, #6 (Gray)	1
16	102-6936	Nozzle, Main, #7 (Black)	1
17	363-4236	Screw, Drive	1
18	102-4504	Drive Assembly, 12-Pack	1
19	102-6929	Stator Assembly, Low Flow, High Velocity, Blue (Used with #0 Main Nozzle)	1
19	102-1939	Stator Assembly, Low Flow, Yellow (Used with #1-#4 Main Nozzles)	1
19	102-1940	Stator Assembly, Medium Flow, White (Used with #5-#7 Main Nozzles)	1
20	102-1715	Screen, Riser	1
21	-----	Body Assembly (See p. 102)	1
22	-----	Pilot Valve Assembly (See Pilot Valve Parts Breakout, p. 109)	1
		<b>SERVICE ITEMS</b>	
	102-5672	Cap, Blank	
	102-5673	Cap, Blank, Effluent	
	89-4735	Yardage Marker, Yellow (10 Sheets per Pak)	
	*DT35-3134	Conversion, Part and Full Circle, w/ #31, #32, #33 & #34 Nozzles	
	*DT35-3134E	Conversion, Part and Full Circle, w/ #31-#34 Nozzles and Effluent (Lavender) Cap	
	*DT35-3537	Conversion, Part and Full Circle, w/ #35, #36 & #37 Nozzles	
	*DT35-3537E	Conversion, Part and Full Circle, w/ #35-37 Nozzles and Effluent (Lavender) Cap	
		<b>SERVICE TOOLS</b>	
	995-08	Valve Removal Tool	
	995-76	Valve Insertion Tool	
	995-15	Selector Tool (Flag Key)	
	995-99	Nut Driver, 5/8" (For Main Nozzle)	
	995-105	Nut Driver, 5/16" (For Inner & Intermediate Nozzles and Plugs)	
	995-83	Multi-purpose Tool	
	995-85	Riser Removal Tool	
	995-100	Valve Snap Ring Pliers with Screen Remover	
	995-102	Riser Hold-up Tool, Universal	
		* Order Through Finished Goods Distribution System-Minneapolis	

# DT54 Series Sprinkler



## Model Number Information

Body Inlet	Arc	Body Threads	Valve Type	Nozzle	Pressure Regulation*	Optional
5—1½"	4—Full-circle	0—NPT 4—ACME 5—BSP	1—NO Hydraulic 2—Check-O-Matic 6—Electric	51 52 53 54 55 56 57 58 59	6—65 psi (4,5 Bar) 8—80 psi (5,5 Bar) 1—100 psi (6,9 Bar)	E—Effluent DL—Decoder N—Ni Plated Sol.

For Example:  
When specifying a DT54 Series Sprinkler with ACME threads, #54 nozzle, an electric valve and pressure regulation at 65 psi (4,5 Bar), you would specify:

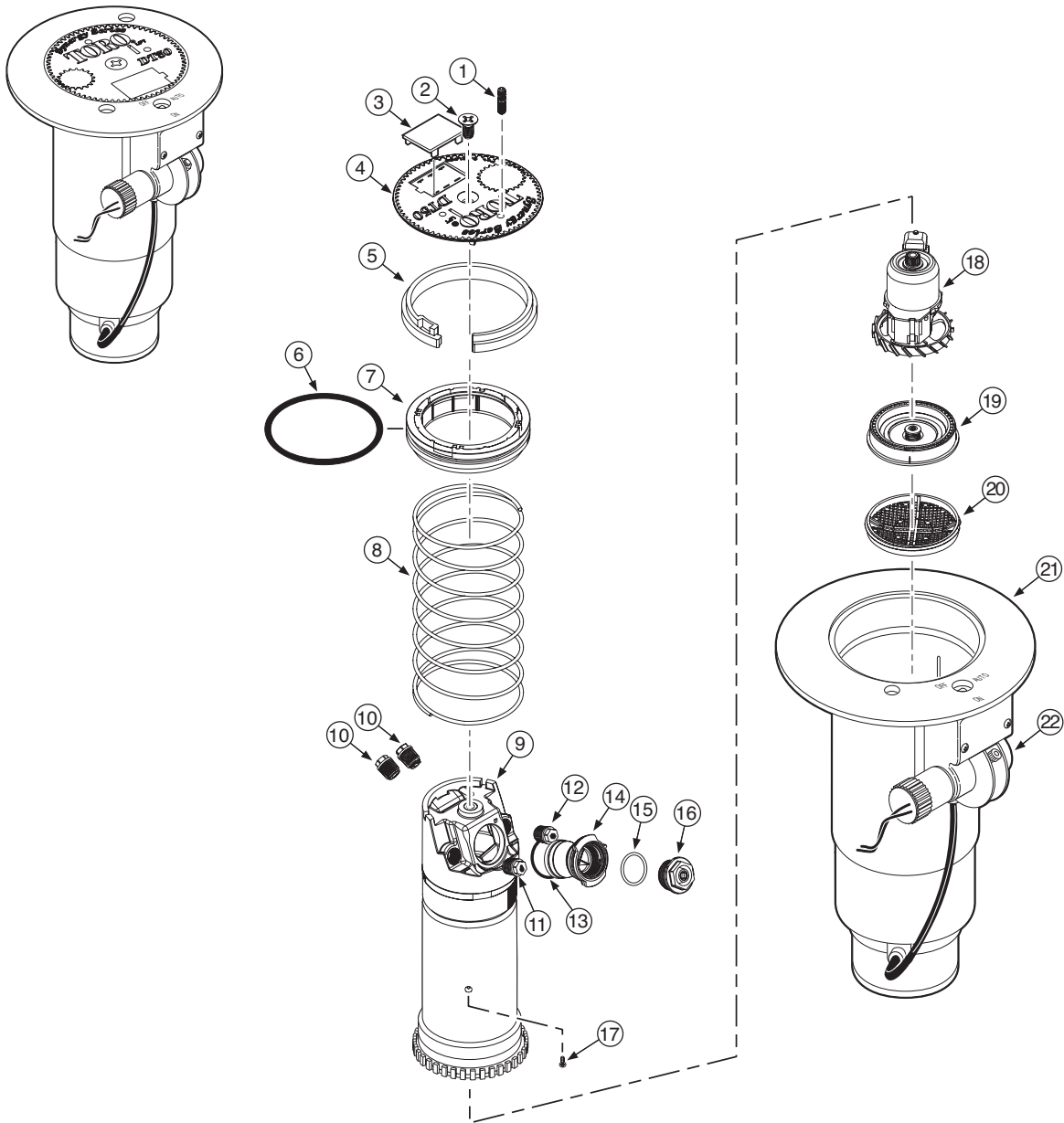
**DT54-46-546**

**Note:** For detailed model number availability and ordering information, refer to the Golf Finished Goods Price List (form no. 490-2844).

\* Pressure Regulation available on Electric VIH models only.

Item No.	Part No.	Description	Quantity Per Assy.
1	89-1589	Plug, Cap	1
2	102-0362	Screw, Cap	1
3	363-4839	Radius Reduction Screw	1
4	102-4753	Cap, DT54	1
4	102-5589	Cap, DT54, Effluent	1
5	102-5837	Nozzle Base Assembly	1
6	102-2925	Intermediate Nozzle, Blue (Used w/ #1 Main)	1
6	102-2926	Intermediate Nozzle, Orange (Used w/ #2 Main)	1
6	102-2928	Intermediate Nozzle, Red (Used w/ #3 Main)	1
6	102-2929	Intermediate Nozzle, Beige (Used w/ #4–5 Mains)	1
6	102-6944	Intermediate Nozzle Assy., Red w/ Stream Straightener (Used w/ #6 Main)	1
6	102-6945	Intermediate Nozzle Assy., Gray w/ Stream Straightener (Used w/ #7–9 Mains)	1
6	102-6883	Intermediate Nozzle, Brown (Used w/ #7 & #8 mains, front position, right of main)	1
7	102-6937	Nozzle Assy. Inner, Yellow Nozzle w/ Yellow Helical Restrictor	1
8	102-4335	Nozzle Plug	2
9	102-5978	O-ring, Nozzle Housing	1
10	102-5597	Nozzle Housing Assy. (Includes Item 9)	1
11	363-4104	O-Ring, Main Nozzle	1
12	102-0725	Nozzle, Main, #1 (Yellow)	1
12	102-7001	Nozzle, Main, #2 (Blue)	1
12	102-0727	Nozzle, Main, #3 (Brown)	1
12	102-7002	Nozzle, Main, #4 (Orange)	1
12	102-6908	Nozzle, Main, #5 (Green)	1
12	102-0730	Nozzle, Main, #6 (Gray)	1
12	102-4261	Nozzle, Main, #7 (Black)	1
12	102-4260	Nozzle, Main, #8 (Red)	1
12	102-4259	Nozzle, Main, #9 (Beige)	1
13	35-6119	Snap Ring, Riser	1
14	102-0136	Retainer, Seal	1
15	363-4103	O-Ring, Body	1
16	102-0151	Spring, Return	1
17	363-4167	O-Ring, Nozzle Base	1
18	102-0203	Riser	1
19	102-4503	Drive Assembly, 12-Pack	1
20	102-6929	Stator Assembly, Low Flow, High Velocity, Blue (Used with #1–#4 Main Nozzles)	1
20	102-1940	Stator Assembly, Medium Flow, White (Used with #5–#8 Main Nozzles)	1
20	102-1941	Stator Assembly, High-Flow, White (Used with #9 Main Nozzles)	1
21	102-1715	Screen, Riser	1
22	-----	Body Assembly (See p. 106)	1
23	-----	Pilot Valve Assembly (See p. 109)	1
		<b>SERVICE ITEMS</b>	
	102-2208	Nozzle, Main, Blank, White	
	102-5674	Cap, Blank	
	102-5675	Cap, Blank, Effluent	
	102-0950	Adapter, Conversion 600/700 1.5" Bodies	
	*102-5011	Adapter, Conversion, 690	
	89-4735	Yardage Marker, Yellow (10 Sheets per pak)	
	*DT54-5154	Conversion, Full Circle, w/ #51, #52, #53 & #54 Nozzles	
	*DT54-5154E	Conversion, Full Circle, w/ #51, #52, #53 & #54 Nozzles and Effluent (Lavender) Cap	
	*DT54-5558	Conversion, Full Circle, w/ #55, #56, #57 & #58 Nozzles	
	*DT54-5558E	Conversion, Full Circle, w/ #55, #56, #57 & #58 Nozzles and Effluent (Lavender) Cap	
	*DT54-59	Conversion, Full Circle, w/ #59 Nozzle	
	*DT54-59E	Conversion, Full Circle, w/ #59 Nozzle and Effluent (Lavender) Cap	
		<b>SERVICE TOOLS</b>	
	995-09	Valve Removal Tool	
	995-101	Valve Insertion Tool	
	995-15	Selector Tool (Flag Key)	
	995-99	Nut Driver, 5/8" (For Main Nozzle)	
	995-105	Nut Driver, 5/16" (For Inner & Intermediate Nozzles and Plugs)	
	995-83	Multi-purpose Tool	
	995-85	Riser Removal Tool	
	995-100	Valve Snap Ring Pliers with Screen Remover	
	995-102	Riser Hold-up Tool, Universal	
		* Order Through Finished Goods Distribution System—Minneapolis	

# DT55 Series Sprinkler



## Model Number Information

Body Inlet	Arc	Body Threads	Valve Type	Nozzle	Pressure Regulation*	Optional
5—1½"	5—Full and Part circle	0—NPT 4—ACME 5—BSP	1—NO Hydraulic 2—Check-O-Matic 6—Electric	51 52 53 54 55 56 57 58 59	6—65 psi (4,5 Bar) 8—80 psi (5,5 Bar) 1—100 psi (6,9 Bar)	E—Effluent DL—Decoder N—Ni Plated Sol.

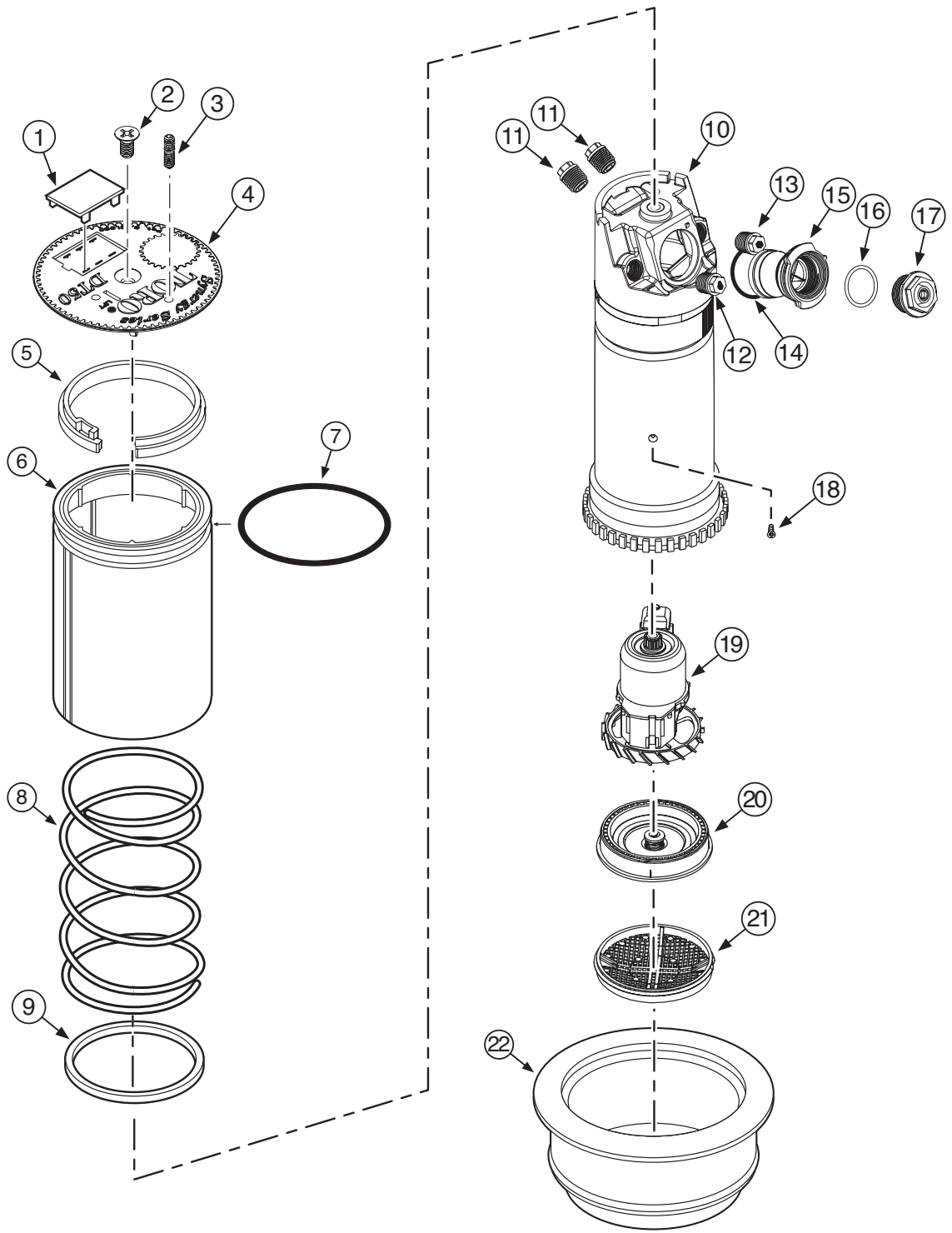
For Example:  
When specifying a DT55 Series Sprinkler with ACME threads, #54 nozzle, an electric valve and pressure regulation at 65 psi (4,5 Bar), you would specify:  
DT55-46-546

**Note:** For detailed model number availability and ordering information, refer to the Golf Finished Goods Price List (form no. 490-2844).

\* Pressure Regulation available on Electric VIH models only.

Item No.	Part No.	Description	Quantity Per Assy.
1	363-4839	Radius Reduction Screw	1
2	102-6138	Screw, Cap, Black	1
3	89-1589	Plug, Cap	1
4	102-4753	Cap, DT55	1
4	102-5589	Cap, DT55, Effluent	1
5	35-6119	Snap Ring, Riser	1
6	363-4103	O-Ring, Body	1
7	102-0136	Retainer, Seal	1
8	102-0151	Spring, Return	1
9	102-5982	Riser Assembly	1
10	102-4335	Nozzle Plug	2
11	102-5670	Nozzle Assy. Inner Assy., Yellow w/ White Helical Restrictor (Used w/ #1-#5 Mains)	1
11	102-6531	Nozzle Assy., Inner Assy., Green w/ White Helical Restrictor (Used w/ #6-#9 Mains)	1
12	102-6884	Intermediate Nozzle, Yellow (Used w/ #2, #3 & #4 Mains)	1
12	102-6885	Intermediate Nozzle, Green (Used w/ #5-#9 Mains)	1
12	102-5671	Intermediate Nozzle Assy., Brown w/ Stream Straightener (Used w/ #1 Main)	1
13	102-5978	O-Ring, Nozzle Housing	1
14	102-5597	Nozzle Housing Assy. (Includes Item 13)	1
15	363-4104	O-Ring, Main Nozzle	1
16	102-6906	Nozzle, Main, #1 (Yellow)	1
16	102-0726	Nozzle, Main, #2 (Blue)	1
16	102-6907	Nozzle, Main, #3 (Brown)	1
16	102-0728	Nozzle, Main, #4 (Orange)	1
16	102-6955	Nozzle, Main, #5 (Green)	1
16	102-6935	Nozzle, Main, #6 (Gray)	1
16	102-6936	Nozzle, Main, #7 (Black)	1
16	102-6909	Nozzle, Main, #8 (Red)	1
16	102-4259	Nozzle, Main, #9 (Beige)	1
17	363-4236	Screw, Drive	1
18	102-4504	Drive Assembly, 12-Pack	1
19	102-1939	Stator Assembly, Low Flow, Yellow (Used with #1-#4 Main Nozzles)	1
19	102-1940	Stator Assembly, Medium Flow, White (Used with #5-#8 Main Nozzles)	1
19	102-1941	Stator Assembly, High-Flow, White (Used with #9 Main Nozzles)	1
20	102-1715	Screen, Riser	1
21	-----	Body Assembly (See p. 106)	1
22	-----	Pilot Valve Assembly (See p. 109)	1
		<b>SERVICE ITEMS</b>	
	102-2208	Nozzle, Main, Blank, White	
	102-5674	Cap, Blank	
	102-5675	Cap, Blank, Effluent	
	102-0950	Adapter, Conversion, 600/700 1.5" Bodies	
	*102-5011	Adapter, Conversion, 690	
	89-4735	Yardage Marker, Yellow (10 Sheets per Pak)	
	*DT55-5154	Conversion, Part & Full Circle, w/ #51-#54 Nozzles	
	*DT55-5154E	Conversion, Part & Full Circle, w/ #51-#54 Nozzles and Effluent (Lavender) Cap	
	*DT55-5154R	Conversion, Part & Full Circle, w/ #51-#54 Nozzles for Ribless Bodies	
	*DT55-5154RE	Conversion, Part & Full Circle, w/ #51-#54 Nozzles & Effluent Cap for Ribless Bodies	
	*DT55-5558	Conversion, Part & Full Circle, w/ #55-#58 Nozzles	
	*DT55-5558E	Conversion, Part & Full Circle, w/ #55-#58 Nozzles and Effluent (Lavender) Cap	
	*DT55-5558R	Conversion, Part & Full Circle, w/ #55-#58 Nozzles for Ribless Bodies	
	*DT55-5558RE	Conversion, Part & Full Circle, w/ #55-#58 Nozzles & Effluent Cap for Ribless Bodies	
	*DT55-59	Conversion, Part & Full Circle, w/ #59 Nozzle	
	*DT55-59E	Conversion, Part & Full Circle, w/ #59 Nozzle and Effluent (Lavender) Cap	
	*DT55-59R	Conversion, Part & Full Circle, w/ #59 Nozzle for Ribless Bodies	
	*DT55-59RE	Conversion, Part & Full Circle, w/ #59 Nozzle & Effluent Cap for Ribless Bodies	
		<b>SERVICE TOOLS</b>	
	995-09	Valve Removal Tool	
	995-101	Valve Insertion Tool	
	995-15	Selector Tool (Flag Key)	
	995-99	Nut Driver, 5/8" (For Main Nozzle)	
	995-105	Nut Driver, 5/16" (For Inner & Intermediate Nozzles and Plugs)	
	995-83	Multi-purpose Tool	
	995-85	Riser Removal Tool	
	995-100	Valve Snap Ring Pliers with Screen Remover	
	995-102	Riser Hold-up Tool, Universal	
		* Order Through Finished Goods Distribution System-Minneapolis	

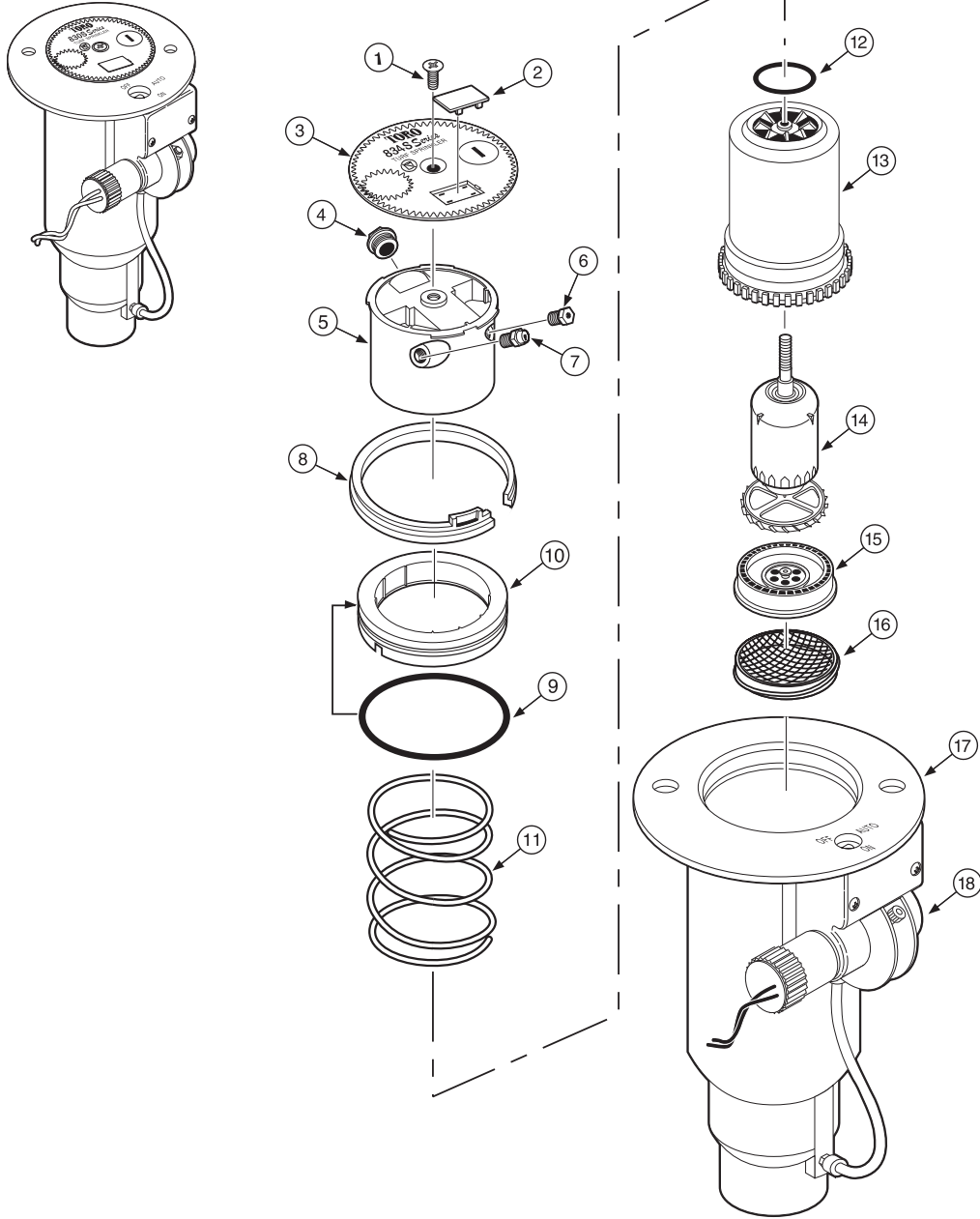
# DT55 Series Ribless Body, Conversion Assembly



Item No.	Part No.	Description	Quantity Per Assy.
1	89-1589	Plug, Cap	1
2	102-6138	Screw, Cap, Black	1
3	363-4839	Radius Reduction Screw	1
4	102-4753	Cap, DT55	1
4	102-5589	Cap, DT55, Effluent	1
5	35-6119	Snap Ring, Riser	1
6	89-7568	Sleeve, Retainer	1
7	363-4103	O-Ring	1
8	102-0151	Spring, Return	1
9	89-7569	Seal, Riser	1
10	102-5730	Riser Assembly	1
11	102-4335	Nozzle Plug	2
12	102-5670	Nozzle Assy. Inner, Yellow w/ White Helical Restrictor (Used w/ #1-#5 Mains)	1
12	102-6531	Nozzle Assy., Inner, Green w/ White Helical Restrictor (Used w/ #6-#9 Mains)	1
13	102-5671	Intermediate Nozzle Assy., Brown w/ Stream Straightener (Used w/ #1 Main)	1
13	102-6884	Intermediate Nozzle, Yellow (Used w/ #2-#4 Mains)	1
13	102-6885	Intermediate Nozzle, Green (Used w/ #5-#9 Mains)	1
14	102-5978	O-Ring, Nozzle Housing	1
15	102-5597	Nozzle Housing Assy. (Includes Item 14)	1
16	363-4104	O-Ring, Main Nozzle	1
17	102-6906	Nozzle, Main, #1 (Yellow)	1
17	102-0726	Nozzle, Main, #2 (Blue)	1
17	102-6907	Nozzle, Main, #3 (Brown)	1
17	102-0728	Nozzle, Main, #4 (Orange)	1
17	102-6955	Nozzle, Main, #5 (Green)	1
17	102-6935	Nozzle, Main, #6 (Gray)	1
17	102-6936	Nozzle, Main, #7 (Black)	1
17	102-6909	Nozzle, Main, #8 (Red)	1
17	102-4259	Nozzle, Main, #9 (Beige)	1
18	363-4236	Screw, Drive	1
19	102-4504	Drive Assembly, 12-Pack	1
20	102-1939	Stator Assembly, Low Flow, Yellow (Used with #1-#4 Main Nozzles)	1
20	102-1940	Stator Assembly, Medium Flow, White (Used with #5-#8 Main Nozzles)	1
20	102-1941	Stator Assembly, High Flow, White (Used with #9 Main Nozzle)	1
21	102-1715	Screen, Riser	1
22	102-0950	Adapter, Conversion	1
		<b>SERVICE ITEMS</b>	
	102-5674	Cap, Blank	
	102-5675	Cap, Blank, Effluent	
	89-4735	Yardage Marker, Yellow (10 Sheets per Pak)	
	*DT55-5154R	Conversion, Part & Full Circle, w/ #51-#54 Nozzles for Ribless Bodies	
	*DT55-5154RE	Conversion, Part & Full Circle, w/ #51-#54 Nozzles & Effluent Cap for Ribless Bodies	
	*DT55-5558R	Conversion, Part & Full Circle, w/ #55-#58 Nozzles for Ribless Bodies	
	*DT55-5558RE	Conversion, Part & Full Circle, w/ #55-#58 Nozzles & Effluent Cap for Ribless Bodies	
	*DT55-59R	Conversion, Part & Full Circle, w/ #59 Nozzles for Ribless Bodies	
	*DT55-59RE	Conversion, Part & Full Circle, w/ #59 Nozzles & Effluent Cap for Ribless Bodies	
		<b>SERVICE TOOLS</b>	
	995-08	Valve Removal Tool	
	995-76	Valve Insertion Tool	
	995-15	Selector Tool (Flag Key)	
	995-99	Nut Driver, 5/8" (For Main Nozzle)	
	995-105	Nut Driver, 5/16" (For Inner & Intermediate Nozzles and Plugs)	
	995-83	Multi-purpose Tool	
	995-85	Riser Removal Tool	
	995-100	Valve Snap Ring Pliers with Screen Remover	
	995-102	Riser Hold-up Tool, Universal	
		* Order Through Finished Goods Distribution System-Minneapolis	



# 834S Series Sprinkler, Pre-August 2007



## Model Number Information

**834S-XX-3XX-X**

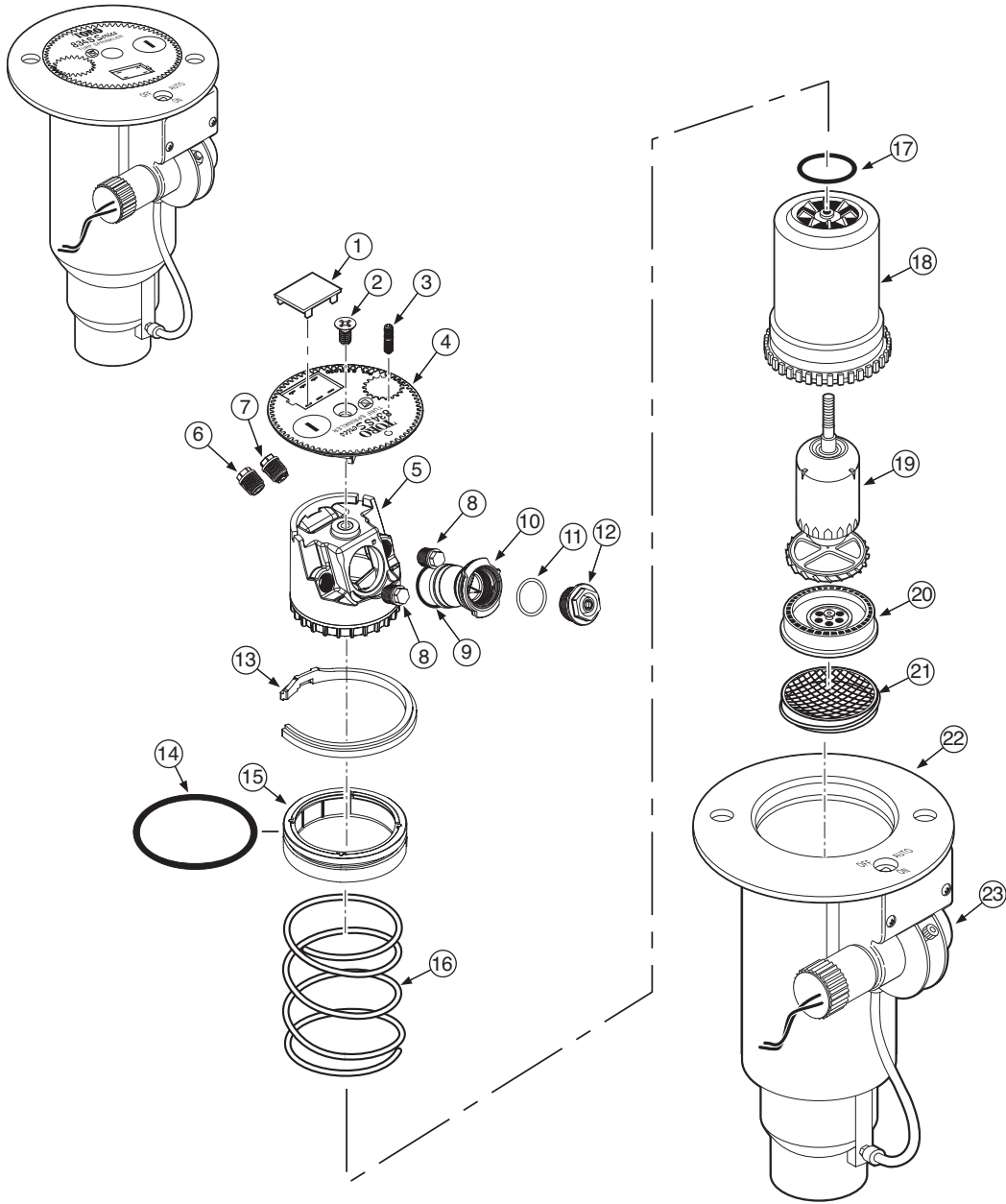
<p><b>Arc</b></p> <p>4 = Full-circle</p>	<p><b>Body Threads</b></p> <p>0 = NPT 4 = ACME 5 = BSP</p>	<p><b>Valve</b></p> <p>1 = NO Valve-In-Head 2 = Check-O-Matic 6 = Electric Valve-In-Head</p>	<p><b>Nozzle</b></p> <p>1 (Yellow) 2 (Blue) 3 (Brown) 4 (Orange) 5 (Green) 6 (Gray) 7 (Black)</p>	<p><b>Pressure Regulation*</b></p> <p>6 = 65 PSI 8 = 80 PSI 1 = 100 PS</p>	<p><b>E = Effluent DL = Decoder N = Nickel Plated</b></p>
--	--	--	---	--	---

\* Pressure Regulation available on Electric VIH models only.

**Note:** For detailed model number availability and ordering information, refer to the Golf Finished Goods Price List (form no. 490-2844).

Item No.	Part No.	Description	Quantity Per Assy.
1	102-0362	Screw, Cap	1
2	89-1589	Plug, Cap	1
3	102-0230	Cap, 834S	1
3	102-1703	Cap, 834S, Effluent	1
4	102-0725	Nozzle, Main, #1 (Yellow)	1
4	102-0726	Nozzle, Main, #2 (Blue)	1
4	102-0727	Nozzle, Main, #3 (Brown)	1
4	102-0728	Nozzle, Main, #4 (Orange)	1
4	102-0729	Nozzle, Main, #5 (Green)	1
4	102-0730	Nozzle, Main, #6 (Gray)	1
4	102-4261	Nozzle, Main, #7 (Black)	1
5	102-7406	Nozzle Base Kit, Dual Trajectory (Includes Items 1–5, 7–10 on 834S Present Model)	1
6	102-2105	Nozzle Assy. Intermediate, Blue (Used with #1 Yellow & #2 Blue Main Nozzles)	1
6	102-2106	Nozzle Assy. Intermediate, Orange (Used w/#3 Brown & #4 Orange Main Nozzles)	1
6	102-2107	Nozzle Assy. Intermediate, Gray (Used with #5 Green & #6 Gray Main Nozzles)	1
6	102-2981	Nozzle Assy. Intermediate, Red (Used with #7 Black Main Nozzle)	1
7	102-2980	Nozzle Assy. Inner, Red (with Restrictor)	1
8	89-1385	Snap Ring, Riser	1
9	363-4102	O-Ring, Body	1
10	102-0134	Retainer, Seal	1
11	102-0151	Spring, Return	1
12	363-4167	O-Ring, Nozzle Base	1
13	102-0202	Riser	1
14	102-4503	Drive Assembly, 12-Pack	1
15	102-1939	Stator Assembly, Low Flow, Yellow (Used with #1–#4 Main Nozzles)	1
15	102-1940	Stator Assembly, Medium Flow, White (Used with #5–#7 Main Nozzles)	1
16	102-1715	Screen, Riser	1
17	-----	Body Assembly (See p. 102)	1
18	-----	Pilot Valve Assembly (See p. 109)	1
		<b>SERVICE ITEMS</b>	
	102-2208	Nozzle, Main, Blank	
	102-0840	Nozzle, Inner/Intermediate, Blank, Red	
	102-2041	Restrictor, Yellow, Inner Nozzle	
	102-4337	Stream Straightener, Intermediate Nozzle	
	102-2502	Cap, 834S, w/o Graphics	
	102-2503	Cap, 834S, w/o Graphics, Effluent	
	89-4735	Yardage Marker, Yellow (10 Sheets per Pack)	
	834S-3134	Conversion Assembly, 834S w/ #31, 32, 33, 34 Nozzles, Dual Trajectory	
	834S-3134E	Conversion Assembly, 834S w/ #31, 32, 33, 34 Nozzles, Effluent, Dual Trajectory	
	834S-3537	Conversion Assembly, 834S w/ #35, 36, 37 Nozzles, Dual Trajectory	
	834S-3537E	Conversion Assembly, 834S w/ #35, 36, 37 Nozzles, Effluent, Dual Trajectory	
		<b>SERVICE TOOLS</b>	
	995-08	Valve Removal Tool	
	995-15	Selector Tool (Flag Key)	
	995-76	Valve Insertion Tool	
	995-79	Nut Driver, 7/16" (For Inner & Intermediate Nozzles)	
	995-83	Multi-purpose Tool	
	995-85	Riser Removal Tool	
	995-99	Nut Driver, 5/8" (For Main Nozzle)	
	995-100	Valve Snap Ring Pliers with Screen Remover	
	995-102	Riser Hold-up Tool, Universal	
		* Order Through Finished Goods Distribution System—Minneapolis	

# 834S Series Sprinkler – August 2007–Present



## Model Number Information

Body Inlet	Arc	Body Threads	Valve Type	Nozzle	Pressure Regulation*	Optional
3—1"	4—Full circle	0—NPT 4—ACME 5—BSP	1—NO Hydraulic 2—Check-O-Matic 6—Electric	31 32 33 34 35 36 37	6—65 psi (4,5 Bar) 8—80 psi (5,5 Bar) 1—100 psi (6,9 Bar)	E—Effluent DL—Decoder N—Ni Plated Sol.

For Example:  
When specifying a 834S Series Sprinkler with ACME threads, #34 nozzle, an electric valve and pressure regulation at 65 psi (4,5 Bar), you would specify:

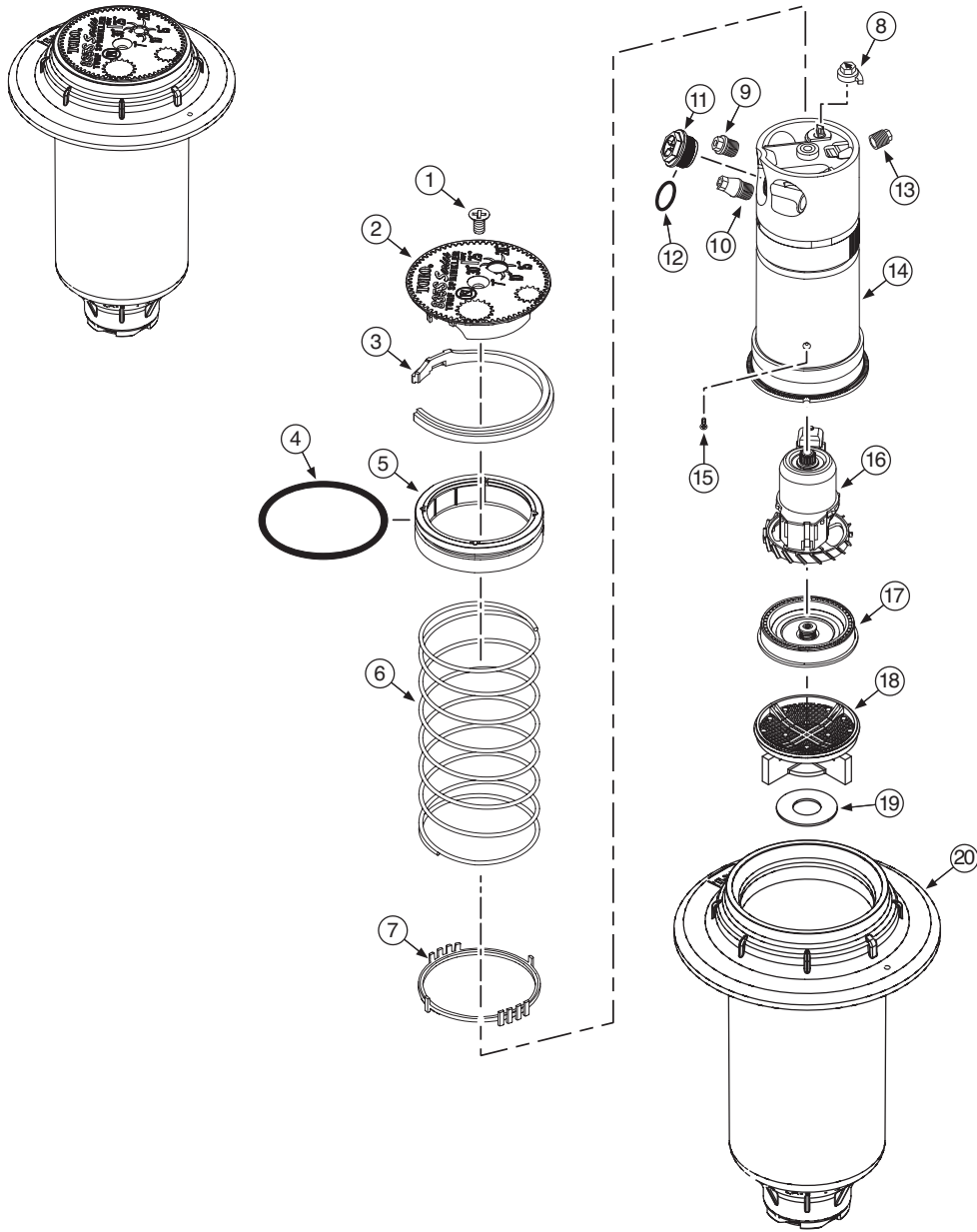
**834S-46-346**

**Note:** For detailed model number availability and ordering information, refer to the Golf Finished Goods Price List (form no. 490-2844).

\* Pressure Regulation available on Electric VIH models only.

Item No.	Part No.	Description	Quantity Per Assy.
1	89-1589	Plug, Cap	1
2	102-0362	Screw, Cap	1
3	363-4839	Radius Reduction Screw	1
4	102-5586	Cap, 834S	1
4	102-5590	Cap, 834S, Effluent	1
5	102-5837	Nozzle Base Assembly	1
6	102-2925	Intermediate Nozzle, Blue (Used w/ #1 Main)	1
6	102-2926	Intermediate Nozzle, Orange (Used w/ #2 Main)	1
6	102-2928	Intermediate Nozzle, Red (Used w/ #3 Main)	1
6	102-2929	Intermediate Nozzle, Beige (Used w/ #4–5 Mains)	1
6	102-6944	Intermediate Nozzle Assy., Red w/ Stream Straightener (Used w/ #6 Main)	1
6	102-6945	Intermediate Nozzle Assy., Gray w/ Stream Straightener (Used w/ #7 Main)	1
6	102-6883	Intermediate Nozzle, Brown (Used w/ #7 main, front position on the right of main)	1
7	102-6937	Nozzle Assy. Inner, Yellow Nozzle w/ Yellow Helical Restrictor	1
8	102-4335	Nozzle Plug	2
9	102-5978	O-Ring, Nozzle Housing	1
10	102-5597	Nozzle Housing Assy. (Includes Item 9)	1
11	363-4104	O-Ring, Main Nozzle	1
12	102-0725	Nozzle, Main, #1 (Yellow)	1
12	102-7001	Nozzle, Main, #2 (Blue)	1
12	102-0727	Nozzle, Main, #3 (Brown)	1
12	102-7002	Nozzle, Main, #4 (Orange)	1
12	102-6908	Nozzle, Main, #5 (Green)	1
12	102-0730	Nozzle, Main, #6 (Gray)	1
12	102-4261	Nozzle, Main, #7 (Black)	1
13	89-1385	Snap Ring, Riser	1
14	363-4102	O-Ring, Body	1
15	102-0134	Retainer, Seal	1
16	102-0151	Spring, Return	1
17	363-4167	O-Ring, Nozzle Base	1
18	102-0202	Riser	1
19	102-4503	Drive Assembly, 12-Pack	1
20	102-6929	Stator Assembly, Low Flow, High Velocity, Blue (Used with #1–#4 Main Nozzles)	1
20	102-1940	Stator Assembly, Medium Flow, White (Used with #5–#7 Main Nozzles)	1
21	102-1715	Screen, Riser	1
22	-----	Body Assembly (See p. 102)	1
23	-----	Pilot Valve Assembly (See p. 109)	1
		<b>SERVICE ITEMS</b>	
	102-2208	Nozzle, Main, Blank, White	
	102-5672	Cap, Blank	
	102-5673	Cap, Blank, Effluent	
	89-4735	Yardage Marker, Yellow (10 Sheets per Pak)	
	*834S-3134	Conversion, Full Circle, w/ #31, #32, #33 & #34 Nozzles	
	*834S-3134E	Conversion, Full Circle, w/ #31, #32, #33 & #34 Nozzles and Effluent (Lavender) Cap	
	*834S-3537	Conversion, Full Circle, w/ #35, #36 & #37 Nozzles	
	*834S-3537E	Conversion, Full Circle, w/ #35, #36 & #37 Nozzles and Effluent (Lavender) Cap-	
		<b>SERVICE TOOLS</b>	
	995-08	Valve Removal Tool	
	995-76	Valve Insertion Tool	
	995-15	Selector Tool (Flag Key)	
	995-99	Nut Driver, 5/8" (For Main Nozzle)	
	995-105	Nut Driver, 5/16" (For Inner & Intermediate Nozzles and Plugs)	
	995-83	Multi-purpose Tool	
	995-85	Riser Removal Tool	
	995-100	Valve Snap Ring Pliers with Screen Remover	
	995-102	Riser Hold-up Tool, Universal	
		* Order Through Finished Goods Distribution System–Minneapolis	

# 835B Series Sprinkler



## Model Number Information

		<b>835B</b>	<b>X</b>	<b>2</b>	<b>XXXX</b>	<b>X</b>
<i>Body Inlet</i>	<i>Arc</i>	<i>Body Threads</i>	<i>Valve Type</i>	<i>Nozzles</i>	<i>Optional</i>	
3—1"	5—Full and Part circle	0—NPT 4—ACME 5—BSP	2—Check-O-Matic	3134 3538	E—Effluent	

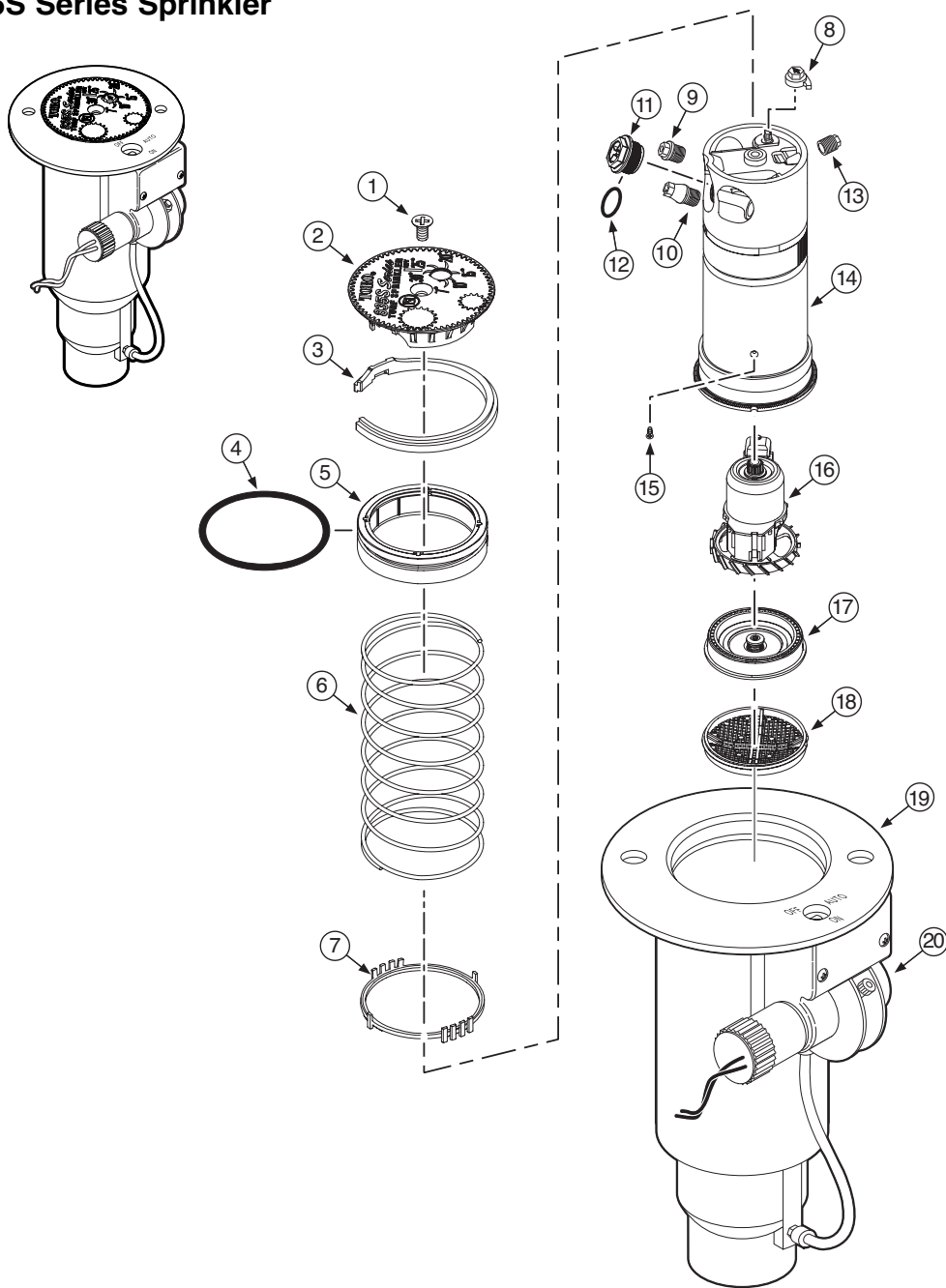
For Example:  
When specifying a DT35B Series Sprinkler with ACME threads, #34 nozzle, you would specify:

**835B-42-3134**

**Note:** For detailed model number availability and ordering information, refer to the Golf Finished Goods Price List (form no. 490-2844).

Item No.	Part No.	Description	Quantity Per Assy.
1	102-6138	Screw, Cap, Black	1
2	102-2295	Cap, 835S	1
2	102-2493	Cap, Effluent, 835S	1
3	89-1385	Snap Ring, 1"	1
4	363-4102	O-Ring, 1"	1
5	102-0134	Retainer Seal, 1"	1
6	102-0151	Spring	1
7	102-2619	Ratchet Ring, 1"	1
8	102-5971	Trajectory Adjuster	1
9	102-2925	Intermediate Nozzle, Blue (Use with #1, #5, #6 & #8 Main Nozzles)	1
9	102-2926	Intermediate Nozzle, Orange (Use with #3, #4 & #7 Main Nozzles)	1
9	102-2928	Intermediate Nozzle, Red (Use with #2 Main Nozzle)	1
10	102-2910	Nozzle Assy., Inner	1
11	102-2208	Nozzle, Main, #0, White, Blank	1
11	102-4587	Nozzle, Main, #1, Yellow	1
11	102-4588	Nozzle, Main, #2, Blue	1
11	102-4589	Nozzle, Main, #3, Brown	1
11	102-0728	Nozzle, Main, #4, Orange	1
11	102-0729	Nozzle, Main, #5, Green	1
11	102-0730	Nozzle, Main, #6, Gray	1
11	102-4261	Nozzle, Main, #7, Black	1
11	102-4260	Nozzle, Main, #8, Red	1
12	363-4104	O-Ring, Main Nozzle	1
13	102-4335	Plug, Nozzle, Back	1
14	102-2892	Riser Assy.	1
15	363-4236	Screw, Drive	1
16	102-4504	Drive Assy., 12-Pack	1
17	102-6929	Stator Assy, Low Flow, High Velocity, Blue (Use with #0 Main Nozzle)	1
17	102-1939	Stator, Low (Use with Main Nozzles 1-4)	1
17	102-1940	Stator, Medium (Use with Main Nozzles 5-8)	1
18	102-5152	Screen, Riser w/ Check Seal Holder	1
19	102-7437	Seal, Check	1
20	102-7419	Body, NPT	1
20	102-7420	Body, BSP	1
20	102-7421	Body, ACME	1
		<b>SERVICE ITEMS</b>	
	102-2041	Restrictor, Yellow, Inner Nozzle	
	102-4337	Stream Straightener, Intermediate Nozzle	
	102-2494	Cap, Blank, 835S	
	102-2495	Cap, Blank, Effluent, 835S	
		<b>SERVICE TOOLS</b>	
	995-83	Multi-purpose Tool	
	995-85	Riser Removal Tool	
	995-99	Nut Driver, 5/8" (For Main Nozzle)	
	995-105	Nut Driver, 5/16" (For Intermediate, Inner & Back Nozzles)	
	995-102	Riser Hold-up Tool, Universal	

# 835S Series Sprinkler



## Model Number Information

**835S-XX-3XX-X**

<b>Arc</b>	<b>Body Threads</b>	<b>Valve</b>	<b>Nozzle</b>	<b>Pressure Regulation*</b>	<b>E = Effluent DL = Decoder N = Nickel Plated</b>
5 = Adj. Part Circle/Full Circle	0 = NPT 4 = ACME 5 = BSP	1 = NO Valve-In-Head 2 = Check-O-Matic 6 = Electric Valve-In-Head	1 (Yellow) 2 (Blue) 3 (Brown) 4 (Orange) 5 (Green) 6 (Gray) 7 (Black)	5 = 50 PSI 6 = 65 PSI 8 = 80 PSI 1 = 100 PSI	

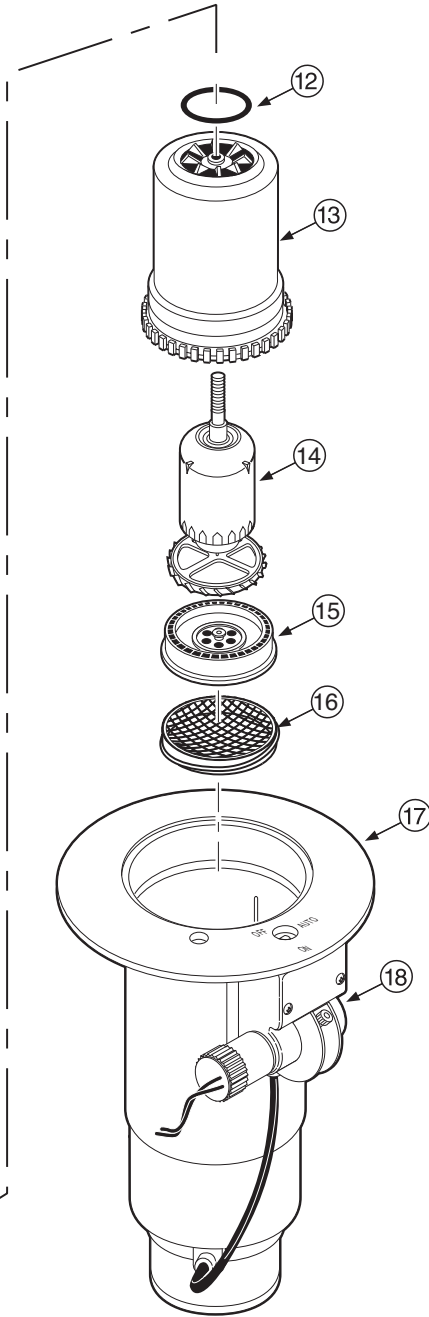
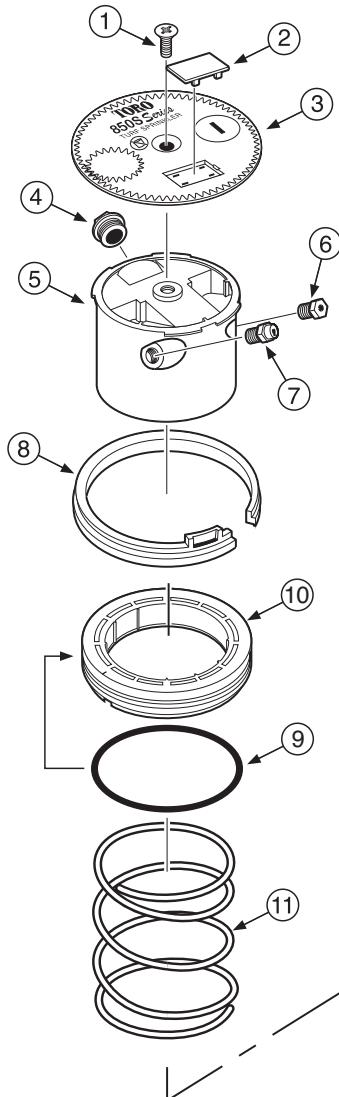
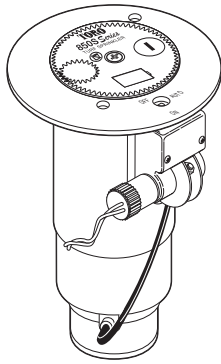
\* Pressure Regulation available on Electric VIH models only.

**Note:** For detailed model number availability and ordering information, refer to the Golf Finished Goods Price List (form no. 490-2844).

Item No.	Part No.	Description	Quantity Per Assy.
1	102-6138	Screw, Cap, Black	1
2	102-2295	Cap, 835S	1
2	102-2493	Cap, Effluent, 835S	1
3	89-1385	Snap Ring, 1"	1
4	363-4102	O-Ring, 1"	1
5	102-0134	Retainer Seal, 1"	1
6	102-0151	Spring	1
7	102-2619	Ratchet Ring, 1"	1
8	102-5971	Trajectory Adjuster	1
9	102-2925	Intermediate Nozzle, Blue (Use with #1, #5 & #6 Main Nozzles)	1
9	102-2926	Intermediate Nozzle, Orange (Use with #3, #4 & #7 Main Nozzles)	1
9	102-2928	Intermediate Nozzle, Red (Use with #2 Main Nozzle)	1
10	102-2910	Nozzle Assy., Inner	1
11	102-2208	Nozzle, Main, #0, White, Blank	
11	102-4587	Nozzle, Main, #1, Yellow	1
11	102-4588	Nozzle, Main, #2, Blue	1
11	102-4589	Nozzle, Main, #3, Brown	1
11	102-0728	Nozzle, Main, #4, Orange	1
11	102-0729	Nozzle, Main, #5, Green	1
11	102-0730	Nozzle, Main, #6, Gray	1
11	102-4261	Nozzle, Main, #7, Black	1
12	363-4104	O-Ring, Main Nozzle	1
13	102-4335	Plug, Nozzle, Back	1
14	102-2892	Riser Assy.	1
15	363-4236	Screw, Drive	1
16	102-4504	Drive Assy., 12-Pack	1
17	102-6929	Stator, Low Flow, High Velocity (Use with Main Nozzle #0)	
17	102-1939	Stator, Low (Use with Main Nozzles 1-4)	1
17	102-1940	Stator, Medium (Use with Main Nozzles 5-7)	1
18	102-1715	Screen	1
19	-----	Body Assembly (See p. 102)	1
20	-----	Pilot Valve Assembly (See p. 109)	1
		<b>SERVICE ITEMS</b>	
	102-2041	Restrictor, Yellow, Inner Nozzle	
	102-4337	Stream Straightener, Intermediate Nozzle	
	102-2494	Cap, Blank, 835S	
	102-2495	Cap, Blank, Effluent, 835S	
	89-4735	Yardage Marker, Yellow (10 Sheets per Pack)	
	835S-3134	Conversion Assy., 835S w/ #31, 32, 33, 34 Nozzles	
	835S-3134E	Conversion Assy., 835S w/ #31, 32, 33, 34 Nozzles, Effluent	
	835S-3537	Conversion Assy., 835S w/ #35, 36, 37 Nozzles	
	835S-3537E	Conversion Assy., 835S w/ #35, 36, 37 Nozzles, Effluent	
		<b>SERVICE TOOLS</b>	
	995-08	Valve Removal Tool	
	995-15	Selector Tool (Flag Key)	
	995-76	Valve Insertion Tool	
	995-79	Nut Driver, 7/16" (For Inner Nozzle)	
	995-83	Multi-purpose Tool	
	995-85	Riser Removal Tool	
	995-99	Nut Driver, 5/8" (For Main Nozzle)	
	995-105	Nut Driver, 5/16" (For Intermediate, Inner & Back Nozzles)	
	995-100	Valve Snap Ring Pliers with Screen Remover	
	995-102	Riser Hold-up Tool, Universal	



# 854S Series Sprinkler, Pre-August 2007



## Model Number Information

### 854S-XX-5XX-X

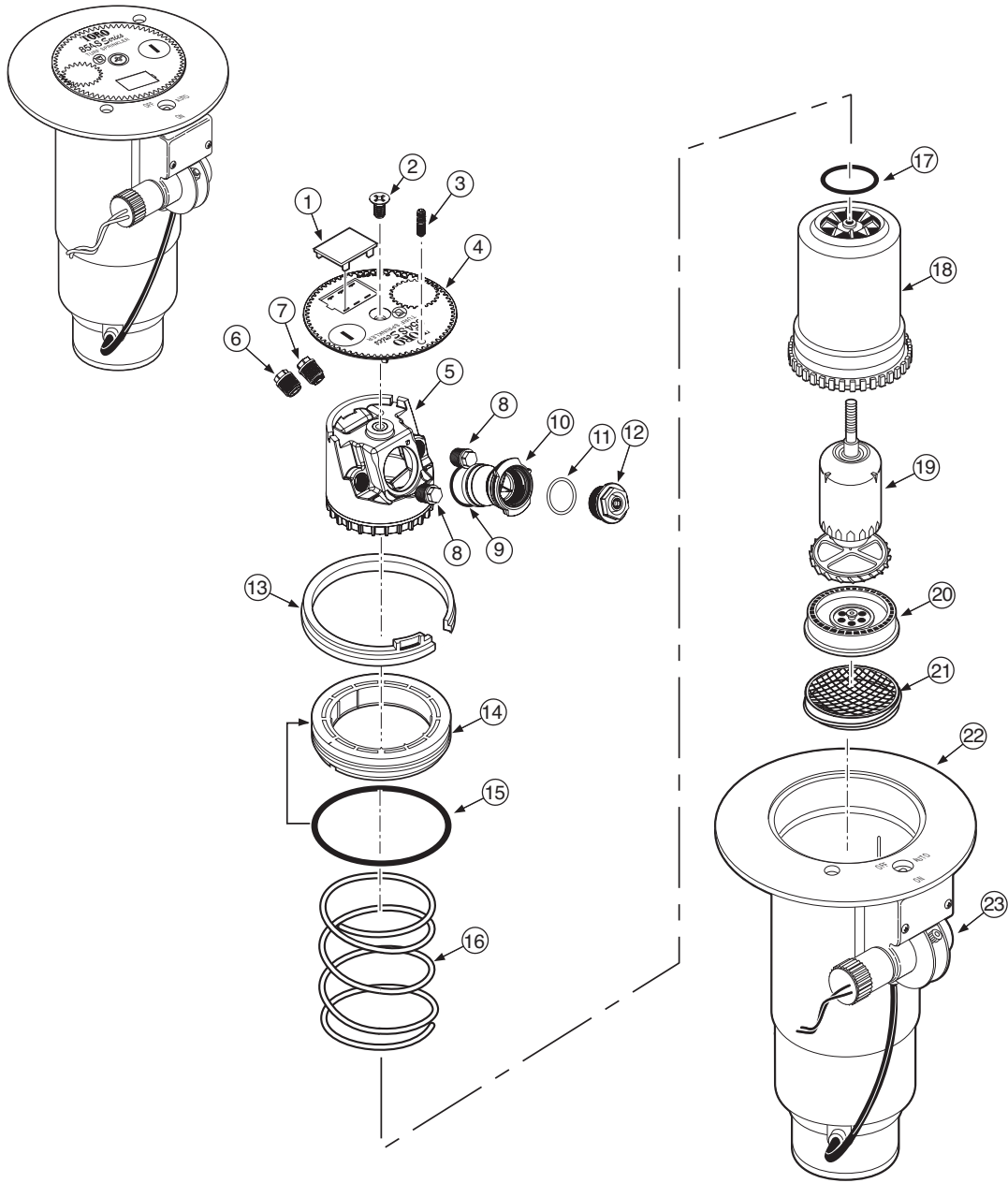
Arc	Body Threads	Valve	Nozzle	Pressure Regulation*	E = Effluent DL = Decoder N = Nickel Plated
4 = Full-circle	0 = NPT 4 = ACME 5 = BSP	1 = NO Valve-In-Head 2 = Check-O-Matic 6 = Electric Valve-In-Head	1 (Yellow) 2 (Blue) 3 (Brown) 4 (Orange) 5 (Green) 6 (Gray) 7 (Black) 8 (Red) 9 (Beige)	6 = 65 PS 8 = 80 PSI 1 = 100 PSI	

\* Pressure Regulation available on Electric VIH models only.

**Note:** For detailed model number availability and ordering information, refer to the Golf Finished Goods Price List (form no. 490-2844).



# 854S Series Sprinkler – August 2007–Present



## Model Number Information

Body Inlet	Arc	Body Threads	Valve Type	Nozzle	Pressure Regulation*	Optional
5—1½"	4—Full-circle	0—NPT 4—ACME 5—BSP	1—NO Hydraulic 2—Check-O-Matic 6—Electric	51 52 53 54 55 56 57 58 59	6—65 psi (4,5 Bar) 8—80 psi (5,5 Bar) 1—100 psi (6,9 Bar)	E—Effluent DL—Decoder N—Ni Plated Sol.

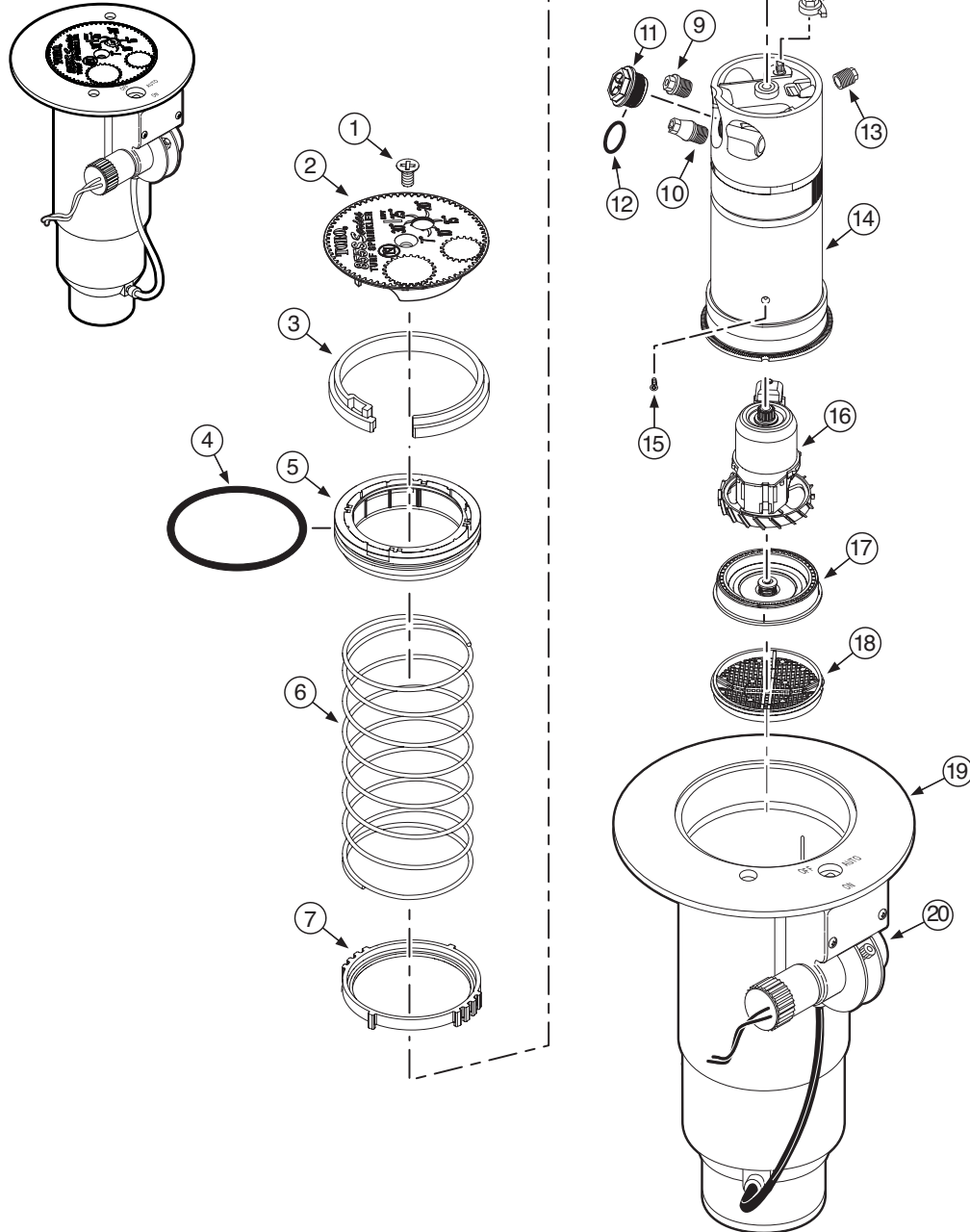
For Example:  
When specifying a 854S Series Sprinkler with ACME threads, #54 nozzle,  
an electric valve and pressure regulation at 65 psi (4,5 Bar), you would specify:  
**854S-46-546**

**Note:** For detailed model number availability and ordering information, refer to the Golf Finished Goods Price List (form no. 490-2844).

\* Pressure Regulation available on Electric VIH models only.

Item No.	Part No.	Description	Quantity Per Assy.
1	89-1589	Plug, Cap	1
2	102-0362	Screw, Cap	1
3	363-4839	Radius Reduction Screw	1
4	102-5587	Cap, 854S	1
4	102-5591	Cap, 854S, Effluent	1
5	102-5837	Nozzle Base Assembly	1
6	102-2925	Intermediate Nozzle, Blue (Used w/ #1 Main)	1
6	102-2926	Intermediate Nozzle, Orange (Used w/ #2 Main)	1
6	102-2928	Intermediate Nozzle, Red (Used w/ #3 Main)	1
6	102-2929	Intermediate Nozzle, Beige (Used w/ #4–5 Mains)	1
6	102-6944	Intermediate Nozzle Assy., Red w/ Stream Straightener (Used w/ #6 Main)	1
6	102-6945	Intermediate Nozzle Assy., Gray w/ Stream Straightener (Used w/ #7–9 Mains)	1
6	102-6883	Intermediate Nozzle, Brown (Used w/ #7 & #8 mains, front position, right of main)	1
7	102-6937	Nozzle Assy. Inner, Yellow Nozzle w/ Yellow Helical Restrictor	1
8	102-4335	Nozzle Plug	2
9	102-5978	O-ring, Nozzle Housing	1
10	102-5597	Nozzle Housing Assy. (Includes Item 9)	1
11	363-4104	O-Ring, Main Nozzle	1
12	102-0725	Nozzle, Main, #1 (Yellow)	1
12	102-7001	Nozzle, Main, #2 (Blue)	1
12	102-0727	Nozzle, Main, #3 (Brown)	1
12	102-7002	Nozzle, Main, #4 (Orange)	1
12	102-6908	Nozzle, Main, #5 (Green)	1
12	102-0730	Nozzle, Main, #6 (Gray)	1
12	102-4261	Nozzle, Main, #7 (Black)	1
12	102-4260	Nozzle, Main, #8 (Red)	1
12	102-4259	Nozzle, Main, #9 (Beige)	1
13	35-6119	Snap Ring, Riser	1
14	102-0136	Retainer, Seal	1
15	363-4103	O-Ring, Body	1
16	102-0151	Spring, Return	1
17	363-4167	O-Ring, Nozzle Base	1
18	102-0203	Riser	1
19	102-4503	Drive Assembly, 12-Pack	1
20	102-6929	Stator Assembly, Low Flow, High Velocity, Blue (Used with #1–#4 Main Nozzles)	1
20	102-1940	Stator Assembly, Medium Flow, White (Used with #5–#8 Main Nozzles)	1
20	102-1941	Stator Assembly, High-Flow, White (Used with #9 Main Nozzles)	1
21	102-1715	Screen, Riser	1
22	-----	Body Assembly (See p. 106)	1
23	-----	Pilot Valve Assembly (See p. 109)	1
		<b>SERVICE ITEMS</b>	
	102-5674	Cap, Blank	
	102-5675	Cap, Blank, Effluent	
	102-0950	Adapter, Conversion 600/700 1.5" Bodies	
	*102-5011	Adapter, Conversion, 690	
	89-4735	Yardage Marker, Yellow (10 Sheets per pak)	
	*854S-5154	Conversion, Full Circle, w/ #51, #52, #53 & #54 Nozzles	
	*854S-5154E	Conversion, Full Circle, w/ #51, #52, #53 & #54 Nozzles and Effluent (Lavender) Cap	
	*854S-5558	Conversion, Full Circle, w/ #55, #56, #57 & #58 Nozzles	
	*854S-5558E	Conversion, Full Circle, w/ #55, #56, #57 & #58 Nozzles and Effluent (Lavender) Cap	
	*854S-59	Conversion, Full Circle, w/ #59 Nozzle	
	*854S-59E	Conversion, Full Circle, w/ #59 Nozzle and Effluent (Lavender) Cap	
		<b>SERVICE TOOLS</b>	
	995-09	Valve Removal Tool	
	995-101	Valve Insertion Tool	
	995-15	Selector Tool (Flag Key)	
	995-99	Nut Driver, 5/8" (For Main Nozzle)	
	995-105	Nut Driver, 5/16" (For Inner & Intermediate Nozzles and Plugs)	
	995-83	Multi-purpose Tool	
	995-85	Riser Removal Tool	
	995-100	Valve Snap Ring Pliers with Screen Remover	
	995-102	Riser Hold-up Tool, Universal	
		* Order Through Finished Goods Distribution System–Minneapolis	

# 855S Series Sprinkler



## Model Number Information

**835S-XX-3XX-E**

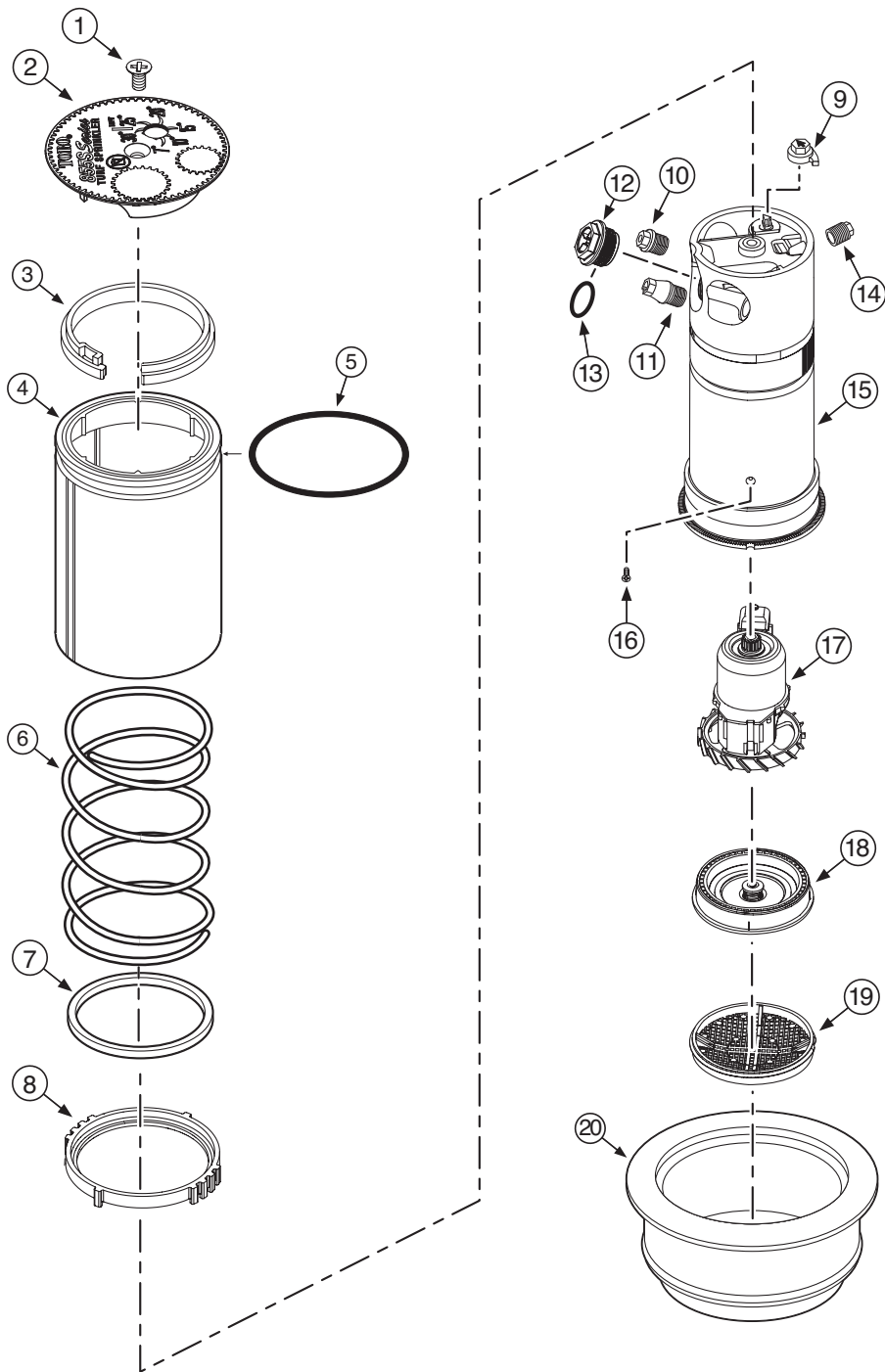
<p><b>Arc</b></p> <p>5 = Adj. Part Circle/Full Circle</p>	<p><b>Body Threads</b></p> <p>0 = NPT 4 = ACME 5 = BSP</p>	<p><b>Valve</b></p> <p>1 = NO Valve-In-Head 2 = Check-O-Matic 6 = Electric Valve-In-Head</p>	<p><b>Nozzle</b></p> <p>1 (Yellow) 2 (Blue) 3 (Brown) 4 (Orange) 5 (Green) 6 (Gray) 7 (Black) 8 (Red) 9 (Beige)</p>	<p><b>Pressure Regulation*</b></p> <p>5 = 50 PSI 6 = 65 PSI 8 = 80 PSI 1 = 100 PS</p>	<p><b>E = Effluent</b> <b>DL = Decoder</b> <b>N = Nickel Plated</b></p>
---	--	--	---	---	---

\* Pressure Regulation available on Electric VIH models only.

**Note:** For detailed model number availability and ordering information, refer to the Golf Finished Goods Price List (form no. 490-2844).

Item No.	Part No.	Description	Quantity Per Assy.
1	102-6138	Screw, Cap, Black	1
2	102-2296	Cap, 855S	1
2	102-2496	Cap, Effluent, 855S	1
3	35-6119	Snap Ring, 1.5"	1
4	363-4103	O-Ring, 1.5"	1
5	102-0136	Retainer Seal, 1.5"	1
6	102-0151	Spring	1
7	102-4967	Ratchet Ring, 1.5"	1
8	102-5971	Trajectory Adjuster	1
9	102-2925	Intermediate Nozzle, Blue (Use with #1, #5, #6, #8 & #9 Main Nozzles)	1
9	102-2926	Intermediate Nozzle, Orange (Use with #3, #4 & #7 Main Nozzles)	1
9	102-2928	Intermediate Nozzle, Red (Use with #2 Main Nozzle)	1
10	102-2910	Nozzle Assy., Inner	1
11	102-4587	Nozzle, Main, #1, Yellow	1
11	102-4588	Nozzle, Main, #2, Blue	1
11	102-4589	Nozzle, Main, #3, Brown	1
11	102-0728	Nozzle, Main, #4, Orange	1
11	102-0729	Nozzle, Main, #5, Green	1
11	102-0730	Nozzle, Main, #6, Gray	1
11	102-4261	Nozzle, Main, #7, Black	1
11	102-4260	Nozzle, Main, #8, Red	1
11	102-4259	Nozzle, Main, #9, Beige	1
12	363-4104	O-Ring, Main Nozzle	1
13	102-4335	Plug, Nozzle, Back	1
14	102-2892	Riser Assy.	1
15	363-4236	Screw, Drive	1
16	102-4504	Drive Assy., 12-Pack	1
17	102-1939	Stator, Low (Use with Main Nozzles 1-4)	1
17	102-1940	Stator, Medium (Use with Main Nozzles 5-8)	1
17	102-1941	Stator, High (Use with Main Nozzle 9)	1
18	102-1715	Screen	1
19	-----	Body Assembly (See p. 106)	1
20	-----	Pilot Valve Assembly (See p. 109)	1
		<b>SERVICE ITEMS</b>	
	102-4337	Stream Straightener, Intermediate Nozzle	
	102-2041	Restrictor, Yellow, Inner Nozzle	
	102-2497	Cap, Blank, 855S	
	102-2498	Cap, Blank, Effluent, 855S	
	102-0950	Adapter, Conversion	
	89-4735	Yardage Markers, Yellow (10 Sheets per Pack)	
	855S-5154	Conversion Assembly, 855S w/ #51, 52, 53, 54 Nozzles	
	855S-5154E	Conversion Assembly, 855S w/ #51, 52, 53, 54 Nozzles, Effluent	
	855S-5558	Conversion Assembly, 855S w/ #55, 56, 57, 58 Nozzles	
	855S-5558E	Conversion Assembly, 855S w/ #55, 56, 57, 58 Nozzles, Effluent	
	855S-59	Conversion Assembly, 855S w/ #59	
	855S-59E	Conversion Assembly, 855S w/ #59, Effluent	
		<b>SERVICE TOOLS</b>	
	995-09	Valve Removal Tool	
	995-101	Valve Insertion Tool	
	995-15	Selector Tool (Flag Key)	
	995-99	Nut Driver, 5/8" (For Main Nozzle)	
	995-105	Nut Driver, 5/16" (For Inner, Intermediate & Back Nozzles)	
	995-83	Multi-purpose Tool	
	995-85	Riser Removal Tool	
	995-100	Valve Snap Ring Pliers with Screen Remover	
	995-102	Riser Hold-up Tool, Universal	
		* Order Through Finished Goods Distribution System—Minneapolis	

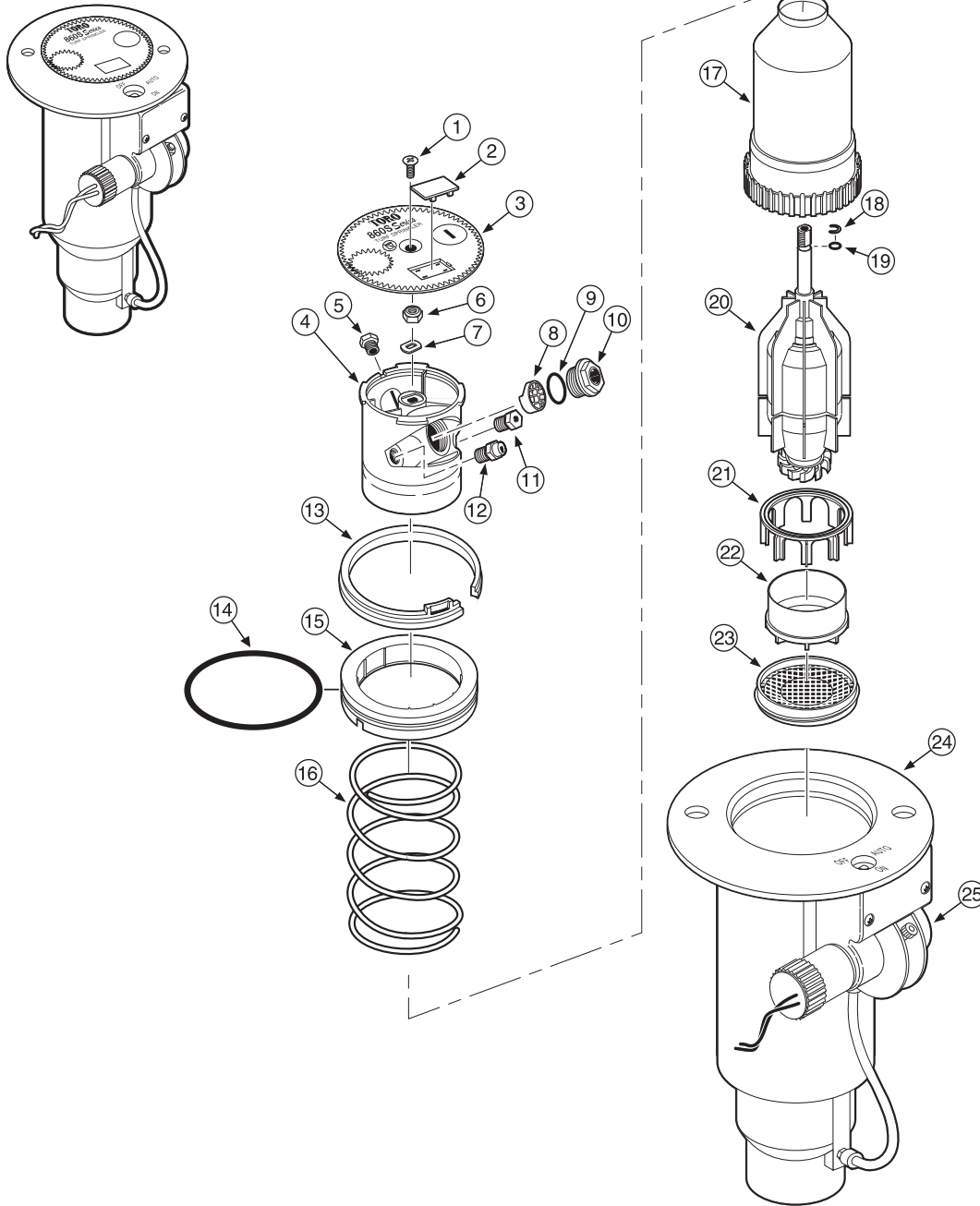
# 855S Series Ribless Body, Conversion Assembly



Item No.	Part No.	Nomenclature	Quantity Per Assy.
1	102-6138	Screw, Cap, Black	1
2	102-2296	Cap, 855S	1
2	102-2496	Cap, Effluent, 855S	1
3	35-6119	Snap Ring, 1.5"	1
4	89-7568	Sleeve, Retainer, O-Ring	1
5	363-4103	O-Ring	1
6	102-0151	Spring, Return	1
7	89-7569	Seal, Riser	1
8	102-2619	Ratchet Ring, 1.0"	1
9	102-5971	Hex, Trajectory Adjuster	1
10	102-2925	Intermediate Nozzle, Blue (Use with #1, #5, #6, #8 & #9 Main Nozzles)	1
10	102-2926	Intermediate Nozzle, Orange (Use with #3, #4 & #7 Main Nozzles)	1
10	102-2928	Intermediate Nozzle, Red (Use with #2 Main Nozzle)	1
11	102-2910	Nozzle Assy., Inner	1
12	102-4587	Nozzle, Main, #1, Yellow	1
12	102-4588	Nozzle, Main, #2, Blue	1
12	102-4589	Nozzle, Main, #3, Brown	1
12	102-0728	Nozzle, Main, #4, Orange	1
12	102-0729	Nozzle, Main, #5, Gree	1
12	102-0730	Nozzle, Main, #6, Gray	1
12	102-4261	Nozzle, Main, #7, Black	1
12	102-4260	Nozzle, Main, #8, Red	1
12	102-4259	Nozzle, Main, #9, Beige	1
13	363-4104	O-Ring, Main Nozzle	1
14	102-4335	Plug, Nozzle, Back	1
15	102-2892	Riser Assy.	1
16	363-4236	Screw, Drive	1
17	102-4504	Drive Assy., 12-Pack	1
18	102-1939	Stator, Low (Use with Main Nozzles 1-4)	1
18	102-1940	Stator, Medium (Use with Main Nozzles 5-8)	1
18	102-1941	Stator, High (Use with Main Nozzle 9)	1
19	102-1715	Screen	1
20	102-0950	Adapter, Conversion	1
		<b>SERVICE ITEMS</b>	
	102-4337	Stream Straightener, Intermediate Nozzle	
	102-2041	Restrictor, Yellow, Inner Nozzle	
	102-2497	Cap, Blank, 855S	
	102-2498	Cap, Blank, Effluent, 855S	
		<b>SERVICE TOOLS</b>	
	995-09	Valve Removal Tool	
	995-101	Valve Insertion Tool	
	995-15	Selector Tool (Flag Key)	
	995-99	Nut Driver, 5/8" (For Main Nozzle)	
	995-105	Nut Driver, 5/16" (For Inner & Intermediate Nozzles)	
	995-83	Multi-purpose Tool	
	995-85	Riser Removal Tool	
	995-100	Valve Snap Ring Pliers with Screen Remover	
	995-102	Riser Hold-up Tool, Universal	



# 860S Series Sprinkler



## Model Number Information

**86XS-XX-6XX-E**

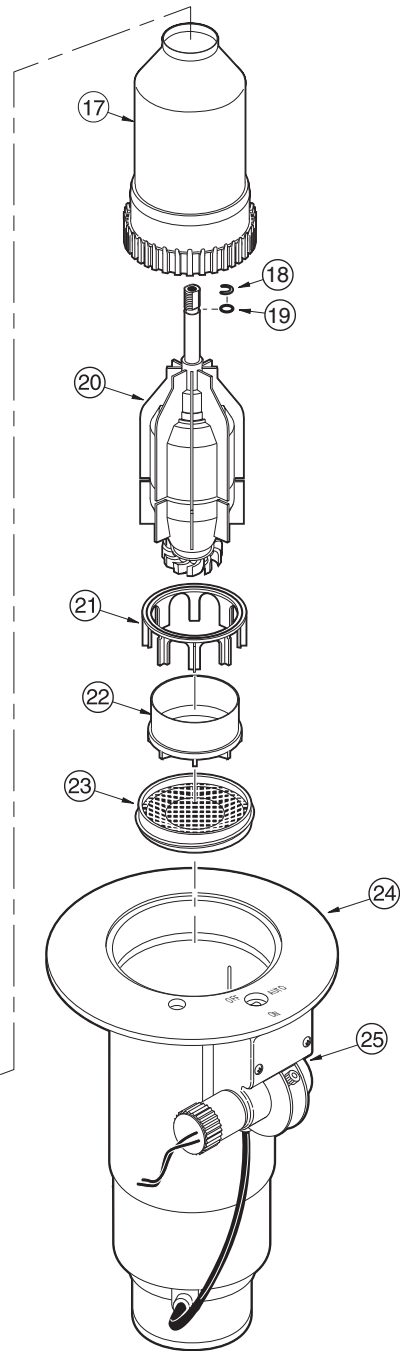
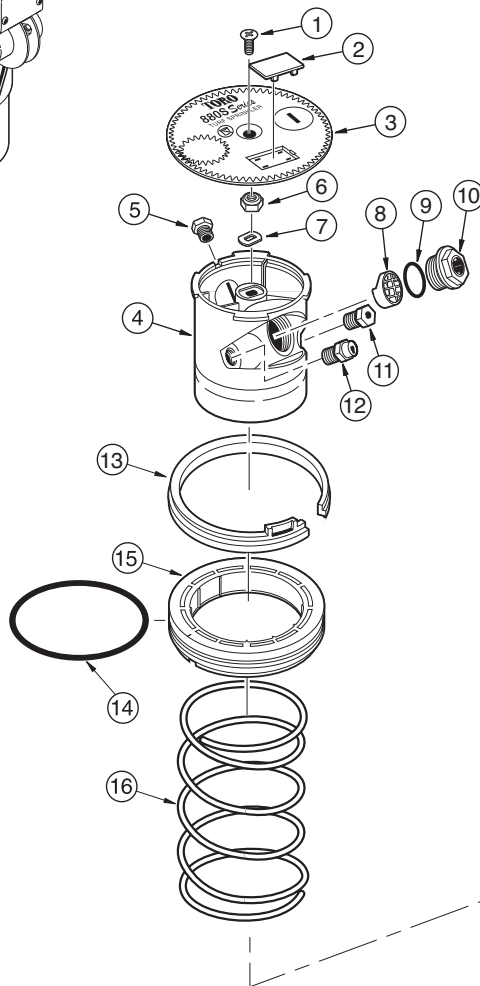
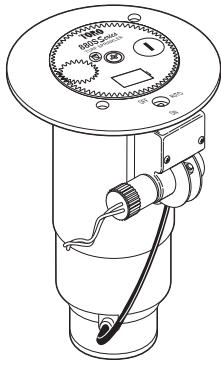
Arc	Body Threads	Valve	Nozzle	Pressure Regulation*	Effluent
4 = Full-circle 5 = Part-circle	0 = NPT 4 = ACME 5 = BSP	1 = NO Valve-In-Head 2 = Check-O-Matic 6 = Electric Valve-In-Head	1 (Yellow) 2 (Blue) 3 (Brown) 4 (Orange) 5 (Green) 6 (Gray) 7 (Black)	6 = 65 PSI 8 = 80 PSI 1 = 100 PSI	

\* Pressure Regulation available on Electric VIH models only.

**Note:** For detailed model number availability and ordering information, refer to the Golf Finished Goods Price List (form no. 490-2844).

Item No.	Part No.	Description	Quantity Per Assy.
1	102-1950	Screw, Cap, Stainless Steel, Full-circle Models	1
1	363-4125	Screw, Cap, Black, Part-circle Models	1
2	89-1589	Plug, Cap	1
3	102-1947	Cap, 860S	1
3	102-2082	Cap, 860S, Effluent	1
4	102-2153	Nozzle Base Assembly	1
5	102-0840	Nozzle, Inner, Blank, Red	1
6	363-4039	Nut, 5/16-24, Nylon Lock	1
7	102-1951	Alignment Washer	1
8	102-1949	Stream Straightener	1
9	363-4104	O-Ring, Main Nozzle	1
10	102-0725	Nozzle, Main, #1, Yellow	1
10	102-0726	Nozzle, Main, #2, Blue	1
10	102-0727	Nozzle, Main, #3, Brown	1
10	102-0728	Nozzle, Main, #4, Orange	1
10	102-0729	Nozzle, Main, #5, Green	1
10	102-0730	Nozzle, Main, #6, Gray	1
10	102-4261	Nozzle, Main, #7, Black	1
11	102-0608	Nozzle, Intermediate, Orange (Use with #1 Yellow Main Nozzle)	1
11	102-0609	Nozzle, Intermediate, Gray (Use with #2 Blue Main Nozzle)	1
11	102-0610	Nozzle, Intermediate, Red (Use with #3 Brown & #4 Orange Main Nozzles)	1
11	102-0823	Nozzle, Intermediate, Beige (Use with #5 Green & #6 Gray Main Nozzles)	1
11	102-2005	Nozzle, Intermediate, Red (Use with #7 Black Main Nozzle)	1
12	102-2980	Nozzle Assembly, Inner, Red (w/Restrictor)	1
13	89-1385	Snap Ring, Riser	1
14	363-4102	O-Ring, Body	1
15	102-0134	Retainer, Seal, 1.0"	1
16	102-0151	Spring, Return	1
17	89-6360	Riser Assembly, 860S	1
18	102-2039	Support Washer	1
19	360-0497	O-Ring	1
20	102-4499	Drive Assembly, PC, (Includes Items 18 & 19), 12-Pack	1
20	102-4498	Drive Assembly, FC, (Includes Items 18 & 19), 12-Pack	1
21	89-1958	Stator Support	1
22	89-1957	Stator, Variable	1
23	89-1588	Screen, 860S/880S	1
24	-----	Body Assembly (See p. 102)	1
25	-----	Pilot Valve Assembly (See p. 109)	1
		<b>SERVICE ITEMS</b>	
	102-2208	Nozzle, Main, Blank, White	
	102-0840	Nozzle, Inner/Intermediate, Blank, Red	
	102-2135	Nozzle, Inner, Back, High Flow, White	
	102-2136	Nozzle, Inner, Back, Low Flow, Yellow	
	363-4220	Screw, Radius Adjust	
	102-2506	Cap, 860S, w/o Graphics	
	102-2507	Cap, 860S, w/o Graphics, Effluent	
	89-4735	Yardage Marker, Yellow (10 Sheets per Pack)	
		<b>SERVICE TOOLS</b>	
	995-08	Valve Removal Tool	
	995-15	Selector Tool (Flag Key)	
	995-76	Valve Insertion Tool	
	995-79	Nut Driver, 7/16" (For Inner & Intermediate Nozzles)	
	995-80	Nut Driver, 1/2" (For 363-4039 Jam Nut)	
	995-82	Arc Adjustment Tool, 3/32" (T-handle hex Wrench)	
	995-83	Multi-purpose Tool	
	995-85	Riser Removal Tool	
	995-99	Nut Driver, 5/8" (For Main Nozzle)	
	995-100	Valve Snap Ring Pliers with Screen Remover	
	995-102	Riser Hold-up Tool, Universal	
		* Order Through Finished Goods Distribution System—Minneapolis	

# 880S Series Sprinkler



## Model Number Information

**88XS-XX-8XX-E**

### Arc

4 = Full-circle  
5 = Part-circle

### Body Threads

0 = NPT  
4 = ACME  
5 = BSP

### Valve

1 = NO Valve-In-Head  
2 = Check-O-Matic  
6 = Electric Valve-In-Head

### Nozzle

1 (Yellow)  
2 (Blue)  
3 (Brown)  
4 (Orange)  
5 (Green)  
6 (Gray)  
7 (Black)  
8 (Red)

### Pressure Regulation\*

6 = 65 PS  
8 = 80 PSI  
1 = 100 PSI

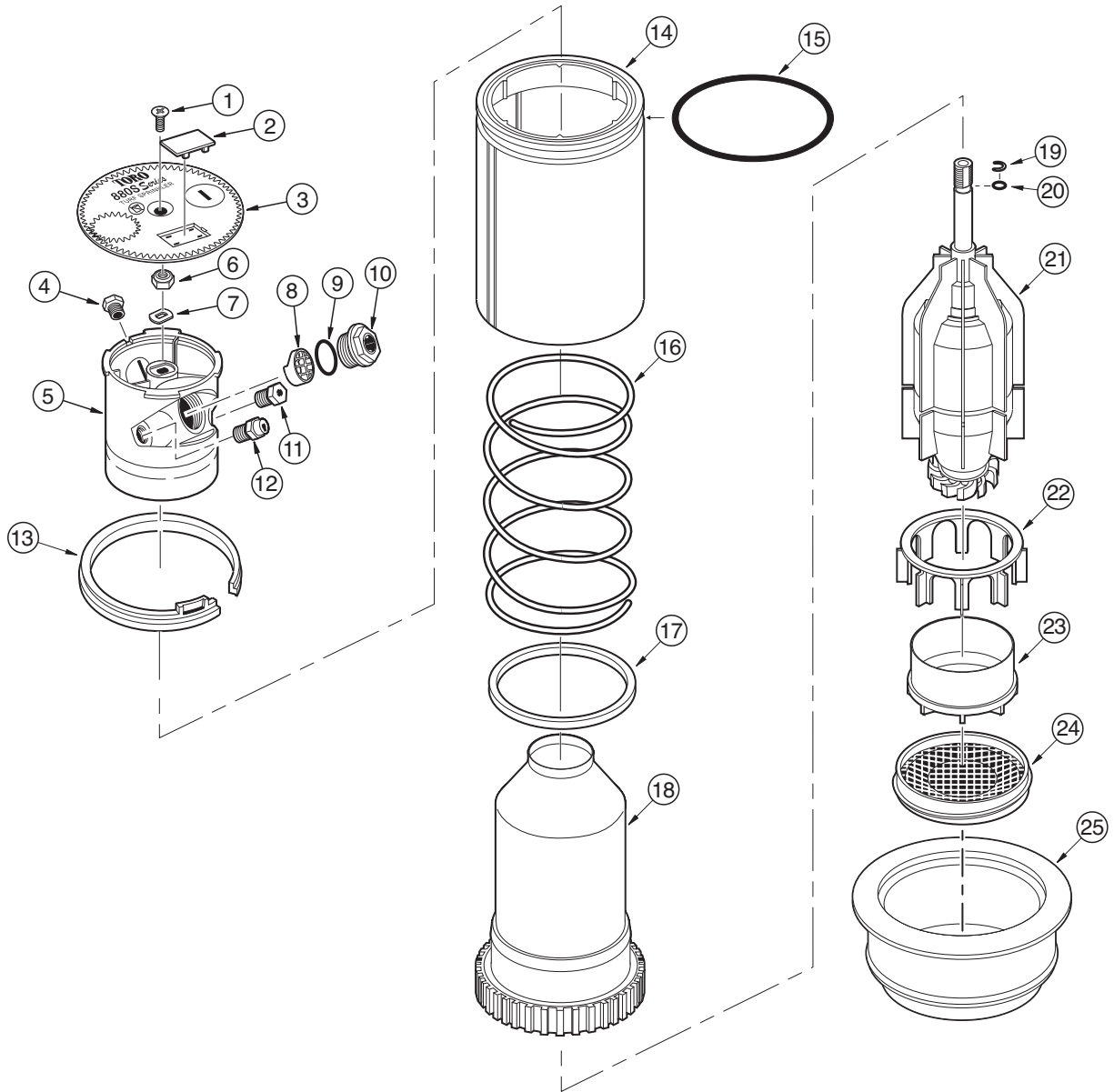
### Effluent

\* Pressure Regulation available on Electric VIH models only.

**Note:** For detailed model number availability and ordering information, refer to the Golf Finished Goods Price List (form no. 490-2844).

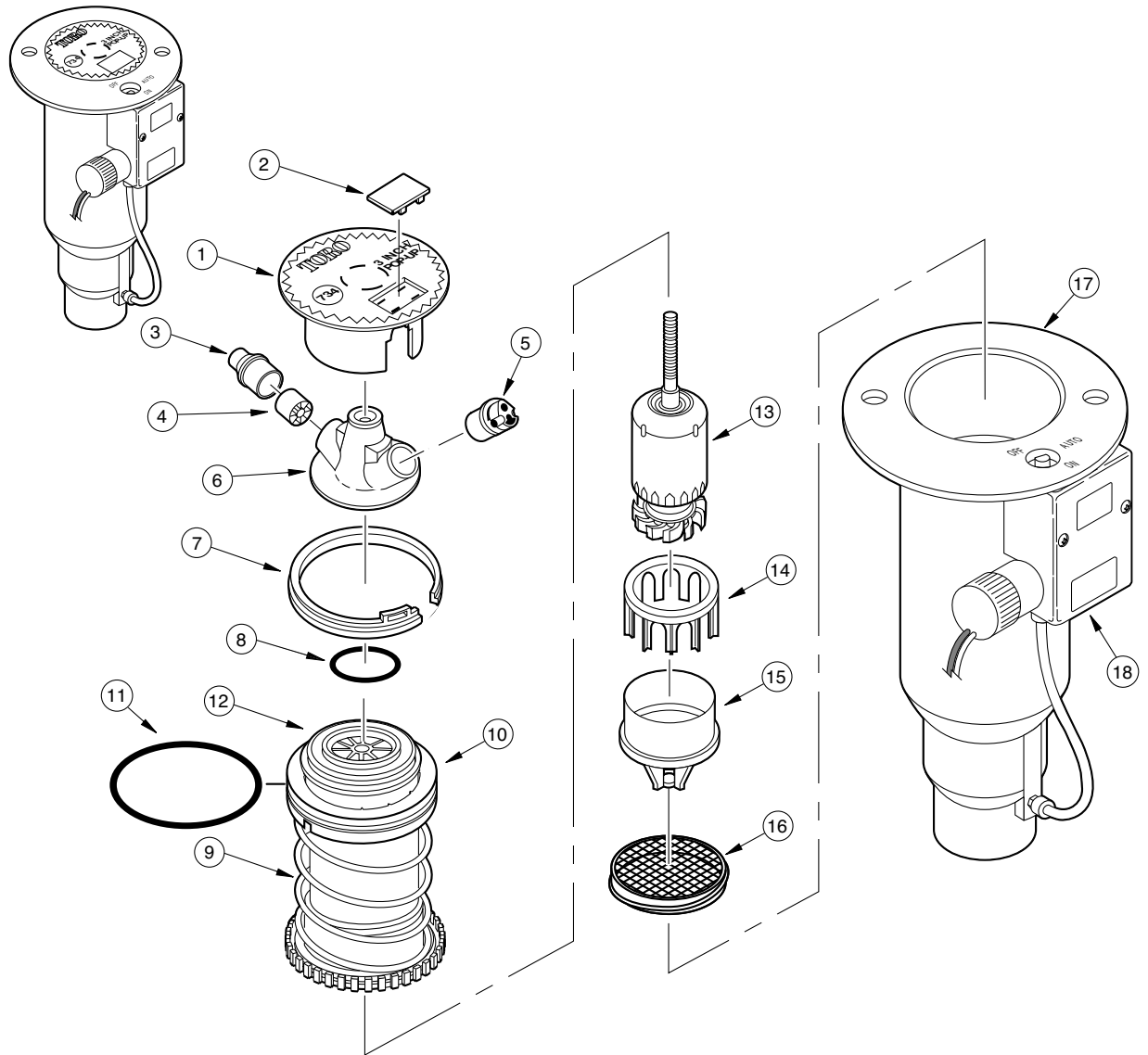
Item No.	Part No.	Description	Quantity Per Assy.
1	102-1950	Screw, Cap, Stainless Steel, FC Models	1
1	363-4125	Screw, Cap, Black PC Models	1
2	89-1589	Plug, Cap	1
3	102-1948	Cap, 880S	1
3	102-2083	Cap, 880S, Effluent	1
4	102-2153	Nozzle Base Assembly	1
5	102-0840	Nozzle Inner, Blank, Red	1
6	363-4039	Nut, 5/16-24, w/Nylon Lock	1
7	102-1951	Alignment Washer	1
8	102-1949	Stream Straightener	1
9	363-4104	O-Ring, Main Nozzle	1
10	102-0725	Nozzle, Main, #1, Yellow	1
10	102-0726	Nozzle, Main, #2, Blue	1
10	102-0727	Nozzle, Main, #3, Brown	1
10	102-0728	Nozzle, Main, #4, Orange	1
10	102-0729	Nozzle, Main, #5, Green	1
10	102-0730	Nozzle, Main, #6, Gray	1
10	102-4261	Nozzle, Main, #7, Black	1
10	102-4260	Nozzle, Main, #8, Red	1
11	102-0608	Nozzle, Intermediate, Orange (Used with #1 Yellow Main Nozzle)	1
11	102-0609	Nozzle, Intermediate, Gray (Used with #2 Blue Main Nozzle)	1
11	102-0610	Nozzle, Intermediate, Red (Used with #3 Brown & #4 Orange Main Nozzles)	1
11	102-0823	Nozzle, Intermediate, Beige (Used with #5 Green & #6 Gray Main Nozzles)	1
11	102-2005	Nozzle, Intermediate, Red (Used with #7 Black & #8 Red Main Nozzles)	1
12	102-2980	Nozzle Assembly, Inner, Red (with Restrictor)	1
13	35-6119	Snap Ring, Riser	1
14	363-4103	O-Ring, Body	1
15	102-0136	Retainer, Seal, 1.5"	1
16	102-0151	Spring, Return	1
17	89-6361	Riser Assembly, 880S	1
18	102-2039	Support Ring	1
19	360-0497	O-Ring	1
20	102-4499	Drive Assembly, PC (Includes Items 18 & 19), 12-Pack	1
20	102-4498	Drive Assembly, FC (Includes Items 18 & 19), 12-Pack	1
21	89-1958	Stator Support	1
22	89-1957	Stator, Variable	1
23	89-1588	Screen, 860S/880S	1
24	-----	Body Assembly (See p. 106)	1
25	-----	Pilot Valve Assembly (See p. 109)	1
		<b>SERVICE ITEMS</b>	
	102-2208	Nozzle, Main, Blank, White	
	102-0840	Nozzle, Inner/Intermediate, Blank, Red	
	102-2135	Nozzle, Inner, Back, High Flow, White	
	102-2136	Nozzle, Inner, Back, Low Flow, Yellow	
	363-4220	Screw, Radius Adjust	
	102-2508	Cap, 880S, w/o Graphics	
	102-2509	Cap, 880S, w/o Graphics, Effluent	
	102-0950	Adapter, Conversion	
	89-4735	Yardage Markers, Yellow (10 Sheets per Pack)	
		<b>SERVICE TOOLS</b>	
	995-09	Valve Removal Tool	
	995-101	Valve Insertion Tool	
	995-15	Selector Tool (Flag Key)	
	995-79	Nut Driver, 7/16" (For Inner & Intermediate Nozzles)	
	995-99	Nut Driver, 5/8" (For Main Nozzle)	
	995-83	Multi-purpose Tool	
	995-85	Riser Removal Tool	
	995-100	Valve Snap Ring Pliers with Screen Remover	
	995-102	Riser Hold-up Tool, Universal	
		* Order Through Finished Goods Distribution System--Minneapolis	

# 880S Series Ribless Body, Conversion Assembly

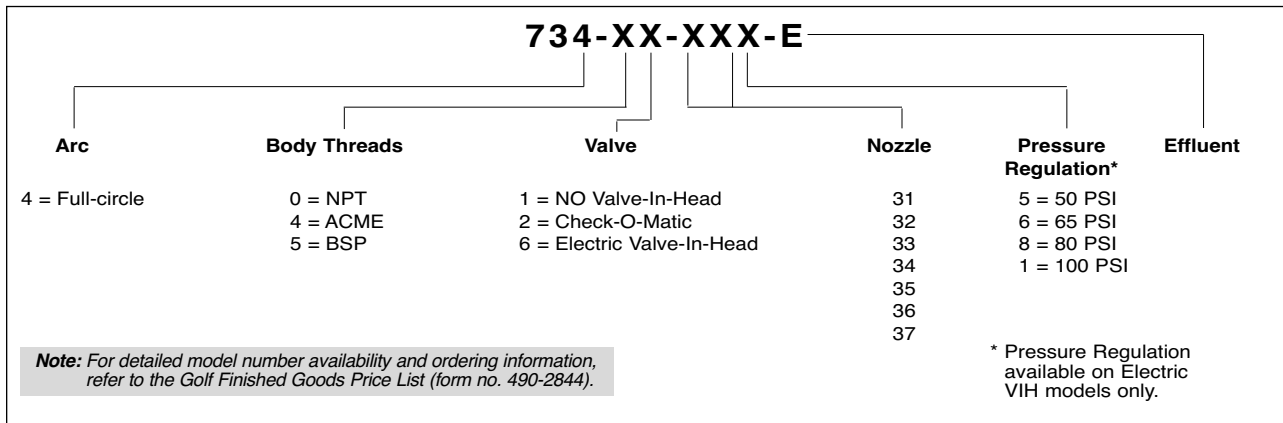


Item No.	Part No.	Nomenclature	Quantity Per Assy.
1	102-1950	Screw, Cap, Stainless Steel, FC Models	1
1	363-4125	Screw, Cap, Black PC Models	1
2	89-1589	Plug, Cap	1
3	102-1948	Cap, 880S	1
3	102-2083	Cap, 880S, Effluent	1
4	102-0840	Nozzle Inner, Blank, Red	1
5	102-2153	Nozzle Base Assembly	1
6	363-4039	Nut, 5/16-24, w/Nylon Lock	1
7	102-1951	Alignment Washer	1
8	102-1949	Stream Straightener	1
9	363-4104	O-Ring, Main Nozzle	1
10	102-0725	Nozzle, Main, #1, Yellow	1
10	102-0726	Nozzle, Main, #2, Blue	1
10	102-0727	Nozzle, Main, #3, Brown	1
10	102-0728	Nozzle, Main, #4, Orange	1
10	102-0729	Nozzle, Main, #5, Green	1
10	102-0730	Nozzle, Main, #6, Gray	1
10	102-4261	Nozzle, Main, #7, Black	1
10	102-4260	Nozzle, Main, #8, Red	1
11	102-0608	Nozzle, Intermediate, Orange (Used with #1 Yellow Main Nozzle)	1
11	102-0609	Nozzle, Intermediate, Gray (Used with #2 Blue Main Nozzle)	1
11	102-0610	Nozzle, Intermediate, Red (Used with #3 Brown & #4 Orange Main Nozzles)	1
11	102-0823	Nozzle, Intermediate, Beige (Used with #5 Green & #6 Gray Main Nozzles)	1
11	102-2005	Nozzle, Intermediate, Red (Used with #7 Black & #8 Red Main Nozzles)	1
12	102-2980	Nozzle Assembly, Inner, Red (with Restrictor)	1
13	35-6119	Snap Ring, Riser	1
14	89-7568	Sleeve, Retainer, O-Ring	1
15	363-4103	O-Ring	1
16	102-0151	Spring, Return	1
17	89-7569	Seal, Riser	1
18	89-6360	Riser Assembly, 860S	1
19	102-2039	Support Ring	1
20	360-0497	O-Ring	1
21	102-4499	Drive Assembly, PC (Includes Items 18 & 19), 12-Pack	1
21	102-4498	Drive Assembly, FC (Includes Items 18 & 19), 12-Pack	1
22	89-1958	Stator Support	1
23	89-1957	Stator, Variable	1
24	89-1588	Screen, 860S/880S	1
25	102-0950	Adapter, Conversion	1
		<b>SERVICE ITEMS</b>	
	102-2208	Nozzle, Main, Blank, White	
	102-0840	Nozzle, Inner/Intermediate, Blank, Red	
	102-2135	Nozzle, Inner, Back, High Flow, White	
	102-2136	Nozzle, Inner, Back, Low Flow, Yellow	
	363-4220	Screw, Radius Adjust	
	102-2508	Cap, 880S, w/o Graphics	
	102-2509	Cap, 880S, w/o Graphics, Effluent	
		<b>SERVICE TOOLS</b>	
	995-09	Valve Removal Tool	
	995-101	Valve Insertion Tool	
	995-15	Selector Tool (Flag Key)	
	995-79	Nut Driver, 7/16" (For Inner Nozzle)	
	995-99	Nut Driver, 5/8" (For Main Nozzle)	
	995-83	Multi-purpose Tool	
	995-85	Riser Removal Tool	
	995-100	Valve Snap Ring Pliers with Screen Remover	
	995-102	Riser Hold-up Tool, Universal	
		* Order Through Finished Goods Distribution System—Minneapolis	

# 730 Series



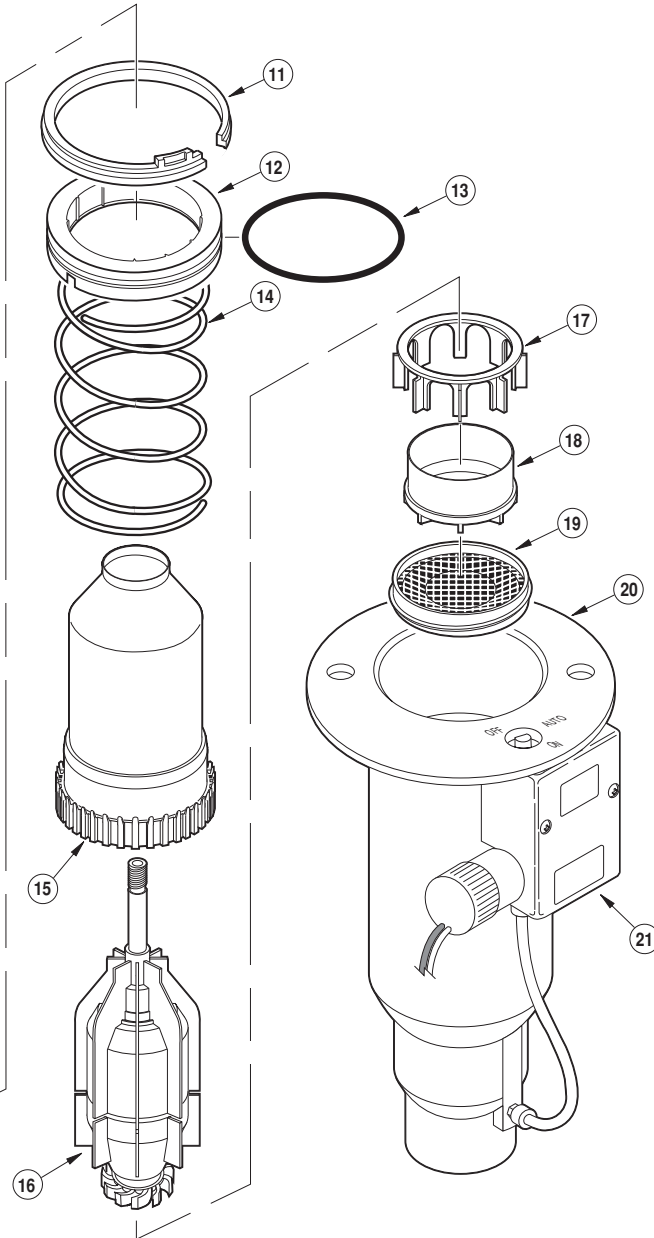
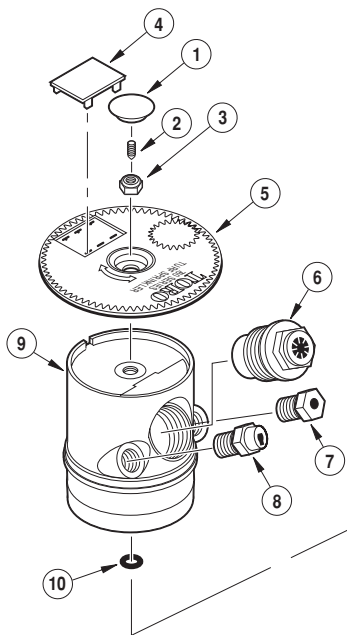
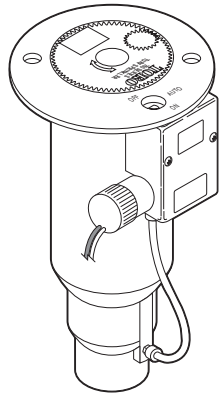
## Model Number Information



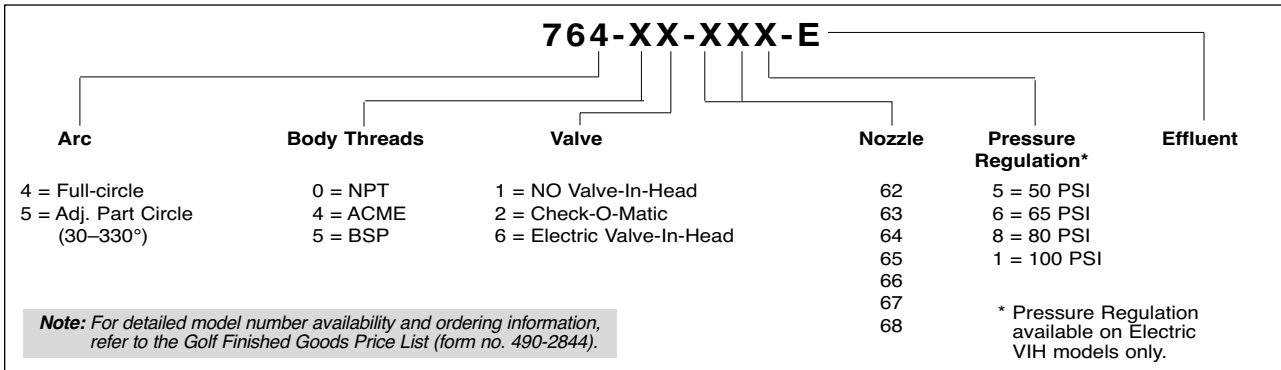
Item No.	Part No.	Description	Quantity Per Assy.
1	89-1293	Cap	1
2	89-1589	Plug, Cap (Black)	1
3	89-8780	Nozzle, Main, 31, Yellow (Includes Item 4)	1
3	89-8781	Nozzle, Main, 32, Orange (Includes Item 4)	1
3	89-8782	Nozzle, Main, 33, Brown (Includes Item 4)	1
3	89-8783	Nozzle, Main, 34, Blue (Includes Item 4)	1
3	89-8784	Nozzle, Main, 35, Green (Includes Item 4)	1
3	89-8785	Nozzle, Main, 36, Red (Includes Item 4)	1
3	89-8786	Nozzle, Main, 37, Gray (Includes Item 4)	1
4	9-4098	Insert, Nozzle	1
5	102-5003	Nozzle Assy., Inner, 31–37, Quad, Red	1
6	89-8907	Base Assy., Nozzle (Includes Nozzle Base and Insert Bearing)	1
7	89-1385	Snap Ring	1
8	363-4167	Seal, O-Ring	1
9	-----	Riser Assy. (See Service Item 89-7562)	1
10	-----	Retainer, Spring (See Service Item 89-5979)	1
11	363-4102	O-Ring	1
12	89-1386	Retainer, Riser	1
13	102-4502	Drive Assy., 12-Pack	1
14	89-1390	Housing, Stator	1
15	89-9636	Stator, Variable, 31–34, Manila	1
15	89-9637	Stator, Variable, 35–36, Black	1
15	89-9622	Stator, Variable, 37, Green	1
16	89-6495	Screen	1
17	-----	Body Assy. (See p. 100)	1
18	-----	Pilot Valve Assembly (See p. 108)	1
		<b>SERVICE ITEMS</b>	
	102-1870	Nozzle Assy., Less Cap, 734-33 (Includes Items 3–6)	
	102-1871	Nozzle Assy., Less Cap, 734-34 (Includes Items 3–6)	
	102-1735	Nozzle Assy., Less Cap, 734-35 (Includes Items 3–6)	
	102-1736	Nozzle Assy., Less Cap, 734-36 (Includes Items 3–6)	
	102-1737	Nozzle Assy., Less Cap, 734-37 (Includes Items 3–6)	
	89-5979	Seal Kit, 730 (Includes Items 10–12)	
	89-7562	Riser Assy. w/Screen, 730 Svc. (Includes Items 9–12 & 16)	
	35-4557	Screen, Press-in Type (Pre-9/94)	
	89-4735	Yardage Marker, Yellow (10 Sheets per Pack)	
	89-8289	Cap, Effluent	
		<b>SERVICE TOOLS</b>	
	995-15	Selector Tool	
	995-100	Valve Snap Ring Pliers with Screen Remover	
	995-08	Valve Removal Tool	
	996-76	Valve Insertion Tool	
	995-83	Multi-purpose Tool	
		* Order Through Finished Goods Distribution System—Minneapolis	



# 760 Series

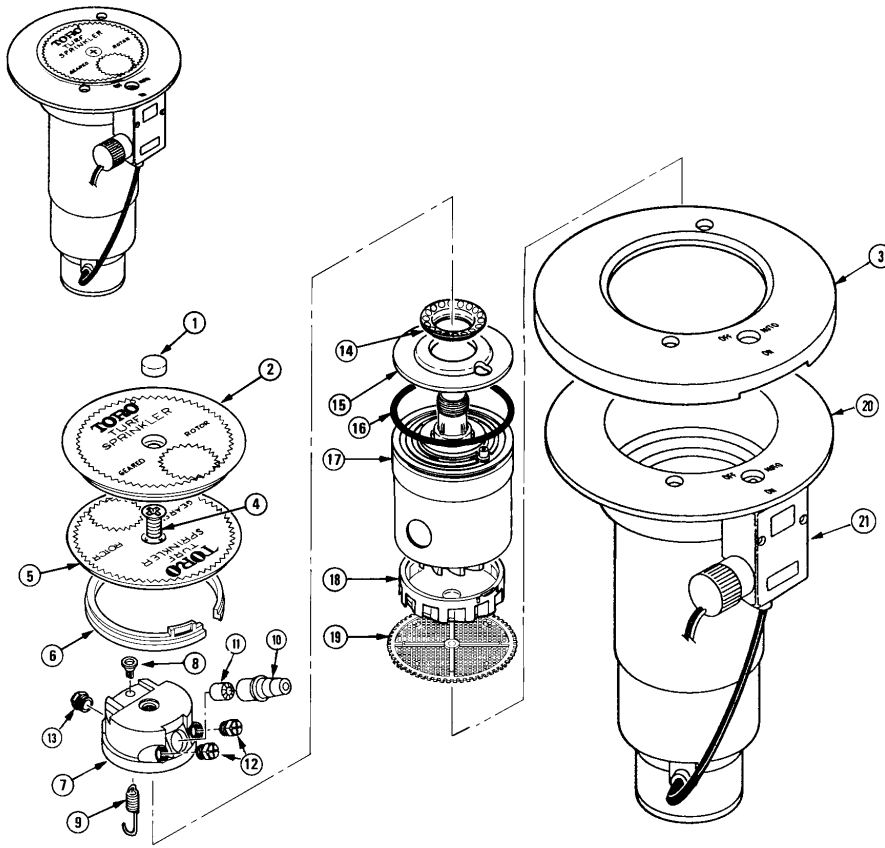


## Model Number Information



Item No.	Part No.	Description	Quantity Per Assy.
1	89-1220	Plug, Adjustment	1
2	363-3150	Screw, Set, 10-32 x .250 (PC Models Only)	1
3	363-4039	Nut, 5/16-24 w/Nylon Lock	1
4	89-1589	Plug, Cap	1
5	89-1952	Cap, 760	1
5	89-8287	Cap, Effluent	1
6	89-1925	Nozzle, Main, 62 Yellow	1
6	89-1926	Nozzle, Main, 63 Blue	1
6	89-1927	Nozzle, Main, 64 Brown	1
6	89-1928	Nozzle, Main, 65 Orange	1
6	89-1929	Nozzle, Main, 66 Green	1
6	89-1930	Nozzle, Main, 67 Gray	1
6	89-1931	Nozzle, Main, 68 Black	1
7	102-2105	Nozzle Intermediate, Blue (Use with #62 Yellow and #63 Blue Main Nozzles)	1
7	102-0608	Nozzle, Intermediate, Orange (Use with #64 Brown Main Nozzle)	1
7	102-0609	Nozzle Intermediate, Gray (Use with #65 Orange Main Nozzle)	1
7	102-0610	Nozzle, Intermediate, Red (Use with #66 Green and #67 Gray Main Nozzles)	1
7	102-0823	Nozzle, Intermediate, Beige (Use with #68 Main Nozzle)	1
8	102-2980	Nozzle Assy., Inner, Red w/Restrictor	1
9	89-1906	Nozzle Base Assy., 760/780	1
9	102-0057	Nozzle Base Assy., 760/780 w/Back Nozzle (Includes 89-3729 Nozzle, Inner 85 Orange and 89-4650 Restrictor)	1
10	360-0107	O-Ring	1
11	89-1385	Snap Ring	1
12	102-0134	Retainer, Seal, 1.0"	1
13	363-4102	O-Ring, Body	1
14	89-6307	Spring, Return	1
15	89-6360	Riser Assy., 760	1
16	102-4497	Drive Assy., PC, 12-Pack	1
16	102-4496	Drive Assy., FC, 12-Pack	1
17	89-1958	Stator Support	1
18	89-1957	Stator, Variable	1
19	89-1588	Screen, 760/780	1
20	-----	Body Assembly (See p. 100)	1
21	-----	Pilot Valve Assembly (See p. 108)	1
		<b>SERVICE ITEMS</b>	
	363-3125	Nozzle, Main, Blank, Black	
	102-0840	Nozzle, Inner/Intermediate, Blank, Red	
	89-4651	Nozzle, Inner, 62 Yellow (Pre-November 2003)	
	89-3942	Nozzle, Inner, 63 Blue (Pre-November 2003)	
	89-4652	Nozzle, Inner, 64 Brown (Pre-November 2003)	
	89-3729	Nozzle, Inner, 65 Orange (Pre-November 2003)	
	89-4653	Nozzle, Inner, 66 Green (Pre-November 2003)	
	89-1879	Nozzle, Inner, 67 Gray (Pre-November 2003)	
	89-4654	Nozzle, Inner, 68 Black (Pre-November 2003)	
	89-4649	Restrictor, (62 & 63 Black) (Pre-November 2003)	
	89-4650	Restrictor, (64-68 White) (Pre-November 2003)	
	89-4735	Yardage Marker, Yellow (10 Sheets Per Pack)	
		<b>SERVICE TOOLS</b>	
	995-08	Valve Removal Tool	
	995-15	Selector Tool (Flag Tool)	
	995-55	Riser Hold-up Tool	
	995-76	Valve Insertion Tool	
	995-79	Nut Driver, 7/16" (For Inner & Intermediate Nozzles)	
	995-80	Nut Driver, 1/2" (For 363-4039 Lock Nut)	
	995-81	Nut Driver, 9/16" (For Main Nozzle)	
	995-82	Arc Adjustment Tool 3/32" (T-handle Hex Wrench)	
	995-83	Multi-purpose Tool	
	995-85	Riser Removal Tool	
	995-100	Valve Snap Ring Pliers with Screen Remover	
		* Order Through Finished Goods Distribution System--Minneapolis	

# 650 Series



## Model Number Information

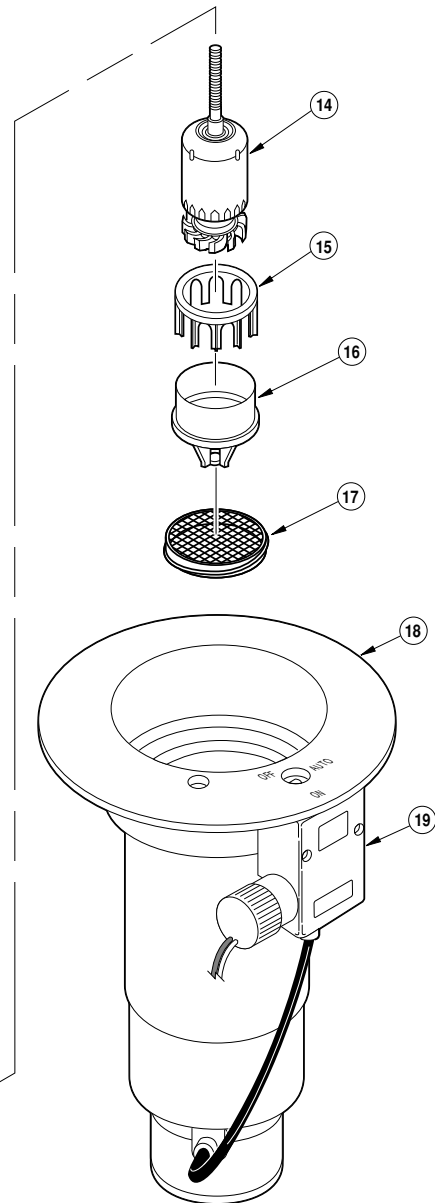
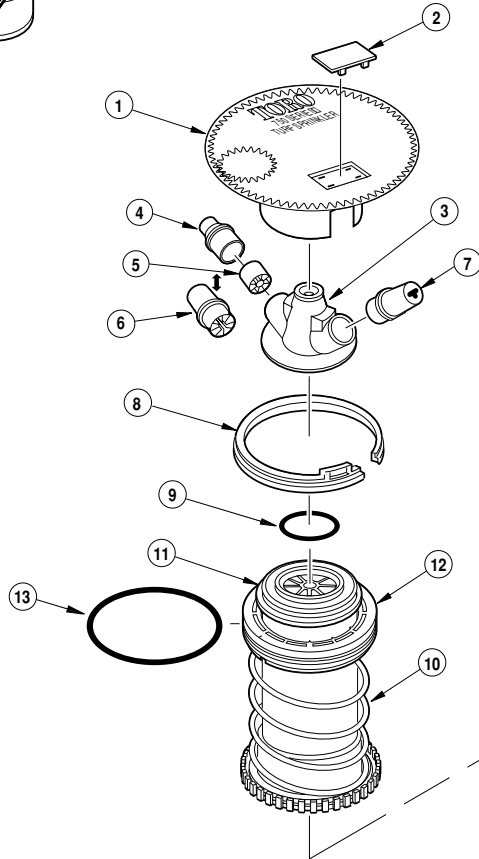
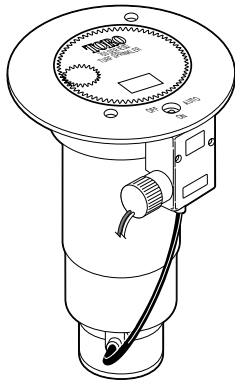
65X-XX-XXX				
Arc	Body Threads	Valve	Nozzle	Pressure Regulation *
§ 1 = Quarter-circle	0 = NPT	1 = NO Valve-In-Head	54	5 = 50 PSI
§ 2 = Half-circle	5 = BSP	2 = Check-O-Matic	55	6 = 50 PSI
§ 4 = Full-circle		6 = Electric Valve-In-Head	56	8 = 80 PSI
§ 5 = Adj. Part-circle (45-315°)			57	1 = 100 PSI
6 = Full-circle, 2-speed, In-line (60-120°)			58	
8 = Full-circle, 2-speed, (180-180°)			59	

\* Pressure Regulation available on Electric VIH models only.  
 § Pre-1998 models only.

Item No.	Part No.	Description	Quantity Per Assy.
1	3-2095	Plug, Cap, Rubber Cover	1
2	35-8563	Cap Assy., Rubber Cover	1
3	9-5355	Rubber cover, Rounded Flange, (See Service Item 650-02)	1
4	3-2510	Screw, Machine, 5/16-18 x 11/16"	1
5	89-8461	Cap	1
6	35-6119	Ring, Snap, Drive Assembly	1
7	-----	Nozzle Base Assy., 656 (See Service Item 35-7638)	1
7	-----	Nozzle Base Assy., 658 (See Service Item 35-4853)	1
8	35-5846	Retainer, Spring	1
9	35-6289	Spring, Nozzle	1
10	35-7658	Nozzle, Main, #54 (Includes Item 11)	1
10	35-7659	Nozzle, Main, #55 (Includes Item 11)	1
10	35-7660	Nozzle, Main, #56 (Includes Item 11)	1
10	35-7661	Nozzle, Main, #57 (Includes Item 11)	1
10	35-7662	Nozzle, Main, #58 (Includes Item 11)	1
10	35-9839	Nozzle, Main, #59	1

Item No.	Part No.	Description	Quantity Per Assy.
11	89-5819	Insert, Nozzle (Not Used with #59 Nozzle)	1
12	89-3942	Nozzle, Inner, Blue	1
12	89-4738	Nozzle, Inner, Red	1
13	89-4785	Nozzle, Back, Green (658 Models Only)	1
14	9-2735	Collar, Spring	1
15	3-2093	Plate, Retainer	1
16	363-4103	O-Ring, Paraffin, AS-568 234	1
17	89-4772	Drive Assy., 651, 54-57 Nozzles, 90° (Color Coded Green) (Includes Items 14 & 15)	1
17	89-4782	Drive Assy., 651, 58-59 Nozzles, 90° (Color Coded Green) (Includes Items 14 & 15)	1
17	89-4773	Drive Assy., 652, 54-57 Nozzles, 180° (Color Coded Blue) (Includes Items 14 & 15)	1
17	89-4783	Drive Assy., 652, 58-59 Nozzles, 180° (Color Coded Blue) (Includes Items 14 & 15)	1
17	89-4774	Drive Assy., 654, 54-57 Nozzles, FC Includes Items 14 & 15)	1
17	89-1294	Drive Assy., 654, 58-59 Nozzles, FC (Includes Items 14 & 15)	1
17	89-4775	Drive Assy., 655, 54-57 Nozzles, PC 45–315° (Includes Items 14 & 5)	1
17	89-0645	Drive Assy., 655, 58-59 Nozzles, PC 45–315° (Includes Items 14 & 15)	1
17	89-4842	Drive Assy., 656, 54-57 Nozzles, 2-speed 60–120° (Color Coded Red) (Incl. Items 14 & 15)	1
17	89-1295	Drive Assy., 656, 58-59 Nozzles, 2-speed 60–120° (Color Coded Red) (Incl. Items 14 & 15)	1
17	89-4843	Drive Assy., 658, 54-57 Nozzles, 2-speed 180–180° (Color Coded Yellow) (Incl. Items 14–15)	1
17	89-1296	Drive Assy., 658, 58-59 Nozzles, 2-speed 180–180° (Color Coded Yellow) (Incl. Items 14 & 5)	1
18	9-5187	Stator, 34/59 (Used with 651-59, 652-59, 654-59, 655-59, 656-59, & 658-59)	1
18	9-5188	Stator, 54 (Used with 651-54, 652-54, 654-54, 655-54, 656-54 & 658-54)	1
18	9-5186	Stator, 55/56 (Used with 651-55, 652-55, 654-55, 655-55, 656-55, 658-55, 651-56, 652-56, 654-56, 655-56, 656-56, & 658-56)	1
18	9-5190	Stator, 57 (Used with 651-57, 652-57, 654-57, 655-57, 656-57, & 658-57)	1
18	9-5192	Stator, 58 (Used with 651-58, 652-58, 654-58, 655-58, 656-58 & 658-58)	1
19	35-1106	Screen, Molded	1
20	-----	Body Assy. (See p. 104)	1
21	-----	Pilot Valve Assembly (See p. 108)	1
		<b>SERVICE ITEMS</b>	
	650-02	Kit, Rubber Cover (Includes Items 1–3)	
	35-7638	Nozzle Assy., w/o Main Nozzle, 650 (Includes Items 4, 5, 7, 8, 9 and 12)	
	89-4795	Nozzle Assy., w/o Main Nozzle and Cap, 650 (Includes Items 7, 8, 9 and 12)	
	89-4852	Nozzle Assy., w/o Main Nozzle, 658 (Includes Items 4, 5, 7, 8, 9, 12 and 13)	
	89-4853	Nozzle Assy., w/o Main Nozzle and Cap, 658 (Includes Items 7, 8, 9, 12 and 13)	
	102-0840	Nozzle, Inner/Intermediate, Blank, Red	
	363-3397	Plug, DA, 7/16", 52-57 Nozzles	
	363-3398	Plug, DA, 13/16", 58-59 Nozzles	
		<b>SERVICE TOOLS</b>	
	995-09	Valve Removal Tool	
	995-06	Drive Assembly Extraction Tool	
	995-15	Selector Tool (Flag Key)	
	995-16	Riser Pliers	
	995-18	Spring Collar Installation Tool	
	995-79	Nut Driver 7/16" (For Inner Nozzle)	
	995-83	Multi-purpose Tool	
	995-100	Valve Snap Ring Pliers with Screen Remover	
	995-101	Valve Insertion Tool	
		* Order Through Finished Goods Distribution System–Minneapolis	

# 750 Series



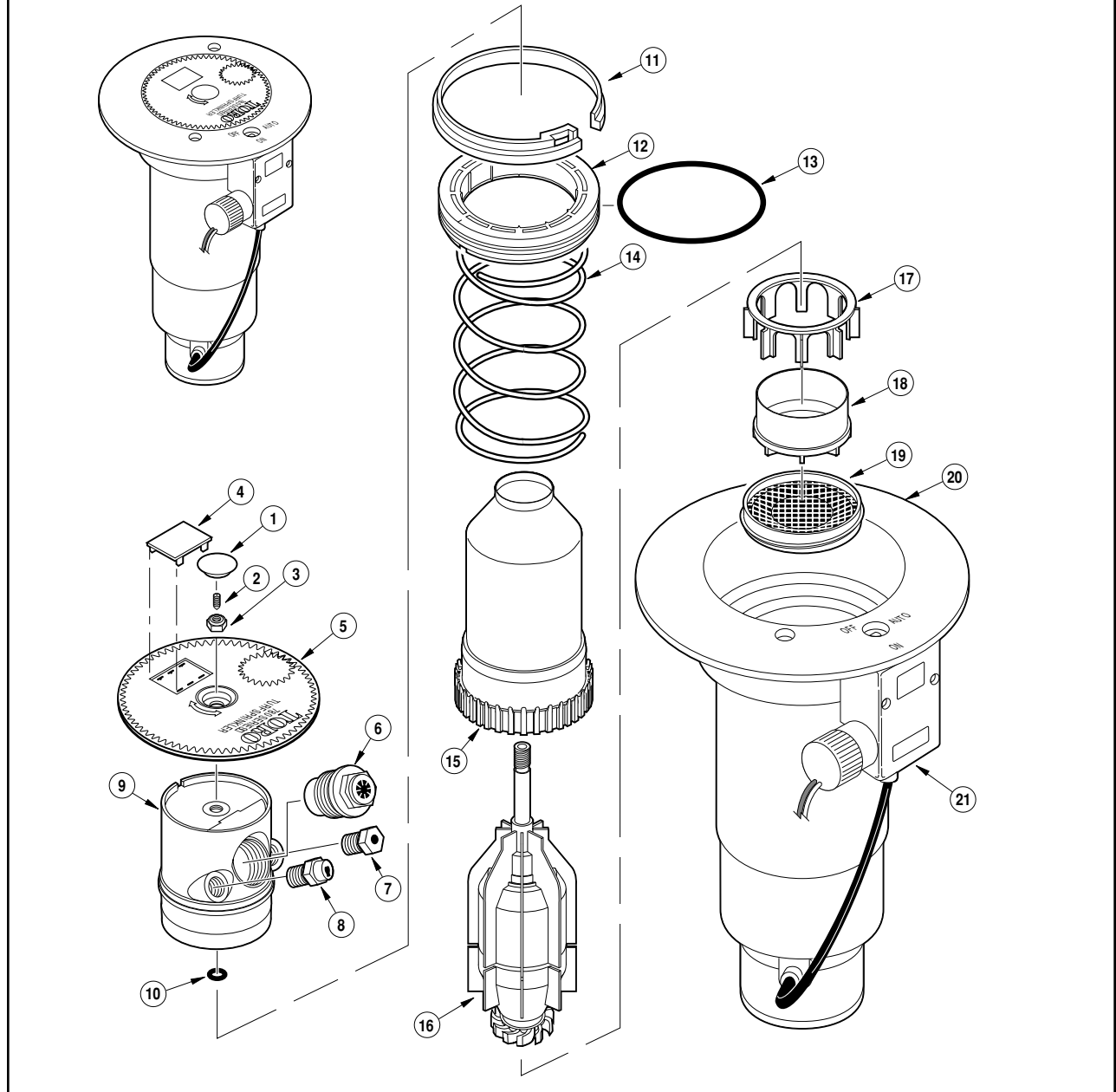
## Model Number Information

754-XX-XXX				
Arc	Body Threads	Valve	Nozzle	Pressure Regulation*
4 = Full-circle	0 = NPT 4 = ACME 5 = BSP	1 = NO Valve-In-Head 2 = Check-O-Matic 6 = Electric Valve-In-Head	52 53 54 55 56 57 58 59	5 = 50 PSI 6 = 65 PSI 8 = 80 PSI 1 = 100 PSI

\* Pressure Regulation available on Electric VIH models only.



# 780 Series



## Model Number Information

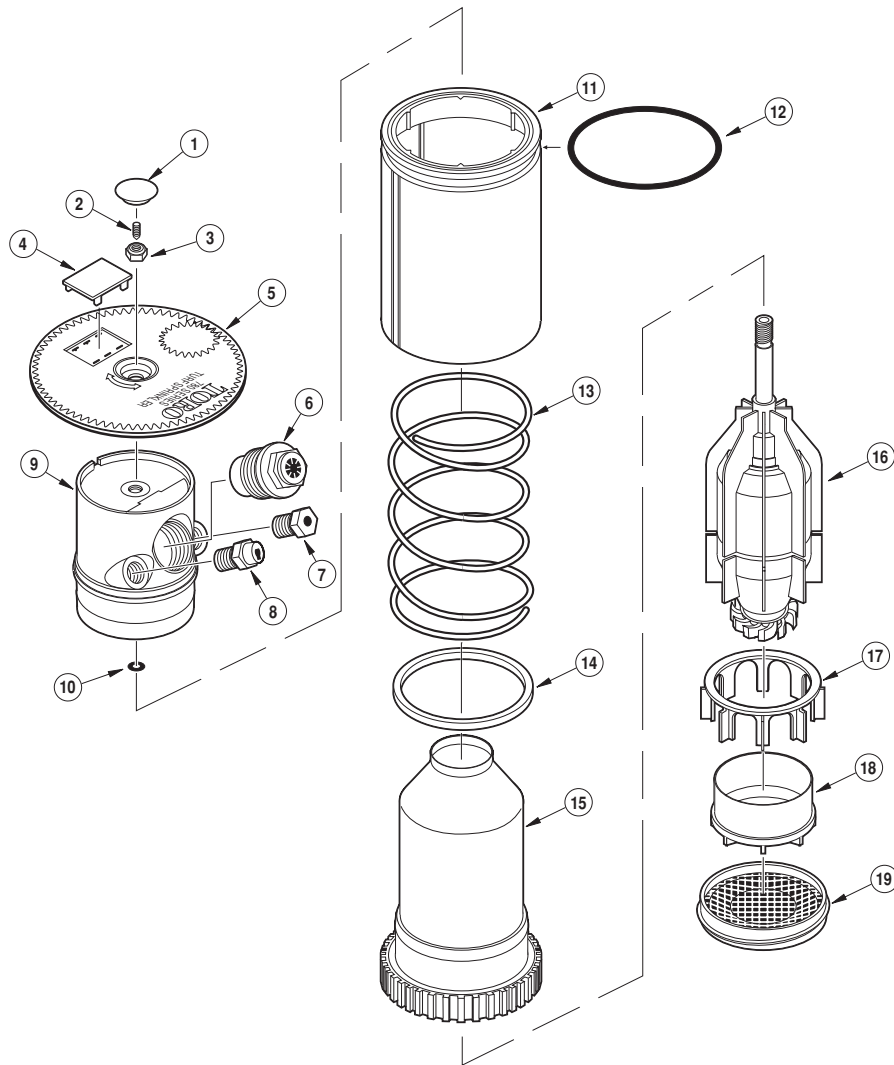
<b>78X-XX-XXX</b>				
Arc	Body	Valve	Nozzle	Pressure Regulation*
4 = Full-circle	0 = NPT	1 = NO Valve-In-Head	82	5 = 50 PSI
5 = Adj. Part Circle (30-330°)	4 = ACME	2 = Check-O-Matic	83	6 = 65 PSI
	5 = BSP	6 = Electric Valve-In-Head	84	8 = 80 PSI
			85	1 = 100 PSI
			86	
			87	
			88	
			89	

\* Pressure Regulation available on Electric VIH models only.

Item No.	Part No.	Description	Quantity Per Assy.
1	89-1220	Plug, Adjustment	1
2	363-3150	Screw, Set, 10-32 x 1/4" (PC Only)	1
3	363-4039	Nut, 5/16-24 w/Nylon Lock	1
4	89-1589	Plug, Cap	1
5	89-1584	Cap, 780	1
5	89-8288	Cap, Effluent	1
6	89-1925	Nozzle, Main, 82 Yellow	1
6	89-1926	Nozzle, Main, 83 Blue	1
6	89-1927	Nozzle, Main, 84 Brown	1
6	89-1928	Nozzle, Main, 85 Orange	1
6	89-1929	Nozzle, Main, 86 Green	1
6	89-1930	Nozzle, Main, 87 Gray	1
6	89-1931	Nozzle, Main, 88 Black	1
6	89-4655	Nozzle, Main, 89 Red	1
7	102-2105	Nozzle, Intermediate, Blue (Use with #82 Yellow and #83 Blue Main Nozzles)	1
7	102-0608	Nozzle, Intermediate, Orange (Use with #84 Brown Main Nozzle)	1
7	102-0609	Nozzle, Intermediate, Gray (Use with #85 Orange Main Nozzle)	1
7	102-0610	Nozzle, Intermediate, Red (Use with #86 Green and #87 Gray Main Nozzles)	1
7	102-0823	Nozzle, Intermediate, Beige (Use with #88 Black and #89 Red Main Nozzles)	1
8	102-2980	Nozzle Assy., Inner, Red w/Restrictor	1
9	89-1906	Nozzle Base Assy., 760/780	1
9	102-0057	Nozzle Base Assy., 760/780 w/Back Nozzle (Includes 89-3729 #85 Inner Nozzle and 89-4650 Restrictor)	
10	360-0107	O-Ring	1
11	35-6119	Snap Ring	1
12	102-0136	Retainer, Seal, 1.5"	1
13	363-4103	O-Ring	1
14	89-6307	Spring, Return	1
15	89-6361	Riser Assy., 780	1
16	102-4497	Drive Assy., PC, 12-Pack	1
16	102-4496	Drive Assy., FC, 12-Pack	1
17	89-1958	Stator Support	1
18	89-1957	Stator, Variable	1
19	89-1588	Screen, 760 & 780	1
20	-----	Body Assy. (See p. 104)	1
21	-----	Pilot Valve Assy. (See p. 108)	1
		<b>SERVICE ITEMS</b>	
	363-3125	Nozzle, Main, Blank, Black	
	102-0840	Nozzle, Inner/Intermediate, Blank, Red	
	89-4651	Nozzle, Inner, 82 Yellow (Pre-November 2003)	
	89-3942	Nozzle, Inner, 83 Blue (Pre-November 2003)	
	89-4652	Nozzle, Inner, 84 Brown (Pre-November 2003)	
	89-3729	Nozzle, Inner, 85 Orange (Pre-November 2003)	
	89-4653	Nozzle, Inner, 86 Green (Pre-November 2003)	
	89-1879	Nozzle, Inner, 87 Gray (Pre-November 2003)	
	89-4654	Nozzle, Inner, 88 Black (Pre-November 2003)	
	89-1878	Nozzle, Inner, 89 Red (Pre-November 2003)	
	89-4649	Restrictor, (82 & 83 Black) (Pre-November 2003)	
	89-4650	Restrictor, (84–89 White) (Pre-November 2003)	
	89-4735	Yardage Marker, Yellow (10 Sheets Per Pack)	
		<b>SERVICE TOOLS</b>	
	995-09	Valve Removal Tool	
	995-15	Selector Tool (Flag Key)	
	995-55	Riser Hold-up Tool	
	995-79	Nut Driver, 7/16" (For Inner & Intermediate Nozzles)	
	995-80	Nut Driver, 1/2" (For 363-4039 Lock Nut)	
	995-81	Nut Driver, 9/16" (For Main Nozzle)	
	995-82	Arc Adjustment Tool 3/32" (T-handle Hex Wrench)	
	995-83	Multi-purpose Tool	
	995-85	Riser Removal Tool	
	995-101	Valve Insertion Tool	
	995-100	Valve Snap Ring Pliers with Screen Remover	
		* Order Through Finished Goods Distribution System–Minneapolis	



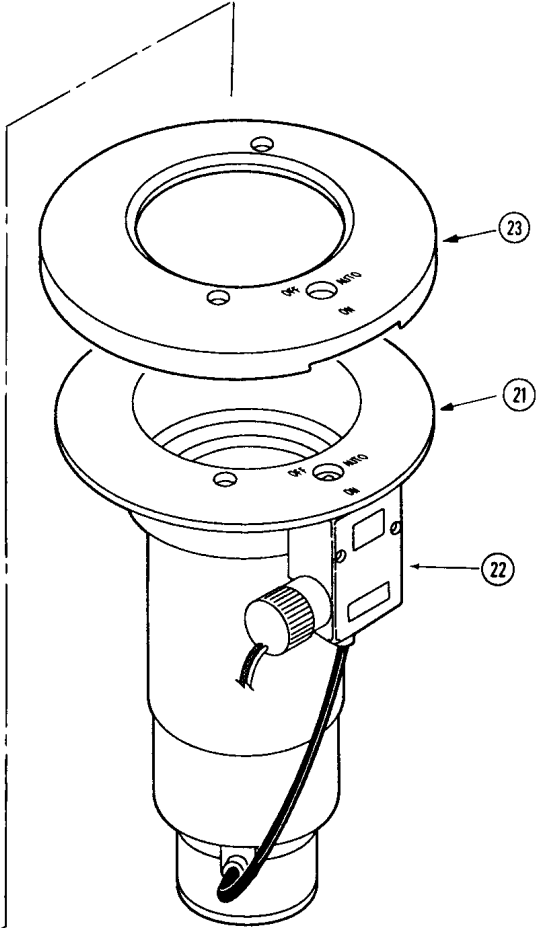
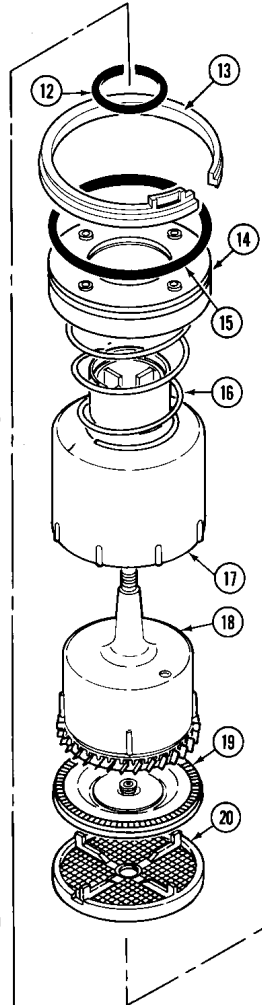
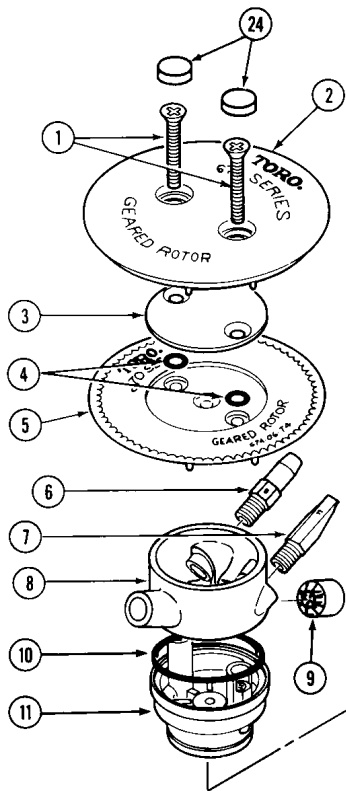
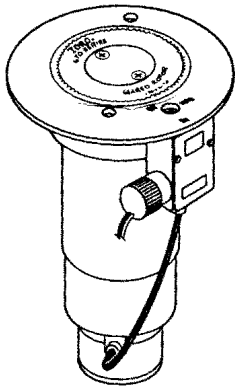
## 780 Series Ribless Body Conversion Assembly



Item No.	Part No.	Description	Quantity Per Assy.
1	89-1220	Plug, Adjustment	1
2	363-3150	Screw, Set, 10-32 x 1/4" (PC Only)	1
3	363-4039	Nut, 5/16-24 w/Nylon Lock	1
4	89-1589	Plug, Cap	1
5	89-1584	Cap, 780	1
5	89-8288	Cap, Effluent	1
6	89-1925	Nozzle, Main, 82 Yellow	1
6	89-1926	Nozzle, Main, 83 Blue	1
6	89-1927	Nozzle, Main, 84 Brown	1
6	89-1928	Nozzle, Main, 85 Orange	1
6	89-1929	Nozzle, Main, 86 Green	1
6	89-1930	Nozzle, Main, 87 Gray	1
6	89-1931	Nozzle, Main, 88 Black	1
6	89-4655	Nozzle, Main, 89 Red	1
7	102-2105	Nozzle, Intermediate, Blue (Use with #82 Yellow and #83 Blue Main Nozzles)	1
7	102-0608	Nozzle, Intermediate, Orange (Use with #84 Brown Main Nozzle)	1
7	102-0609	Nozzle, Intermediate, Gray (Use with #85 Orange Main Nozzle)	1
7	102-0610	Nozzle, Intermediate, Gray (Use with #86 Green and #87 Gray Main Nozzles)	1
7	102-0823	Nozzle, Intermediate, Beige (Use with #88 Black and #89 Red Main Nozzles)	1
8	102-2980	Nozzle Assy., Inner, Red w/Restrictor	1
9	89-1906	Nozzle Base Assy., 760/780	1

Item No.	Part No.	Description	Quantity Per Assy.
9	102-0057	Nozzle Base Assy., 760/780 w/Back Nozzle (Includes 89-3729 Nozzle, Inner #85, Orange and 89-4650 Restrictor)	1
10	360-0107	O-Ring	1
11	89-7568	Sleeve, Retainer, O-Ring, 780 Conversion	1
12	363-4103	O-Ring	1
13	89-6307	Spring, Return	1
14	89-7569	Seal, Riser	1
15	89-6360	Riser Assy., 760	1
16	102-4497	Drive Assy., PC, 12-Pack	1
16	102-4496	Drive Assy., FC, 12-Pack	1
17	89-1958	Stator Support	1
18	89-1957	Stator, Variable	1
19	89-1588	Screen, 760 & 780	1
		<b>SERVICE ITEMS</b>	
	363-3125	Nozzle, Main, Blank, Black	
	102-0840	Nozzle, Inner/Intermediate, Blank, Red	
	89-4651	Nozzle, Inner, 82 Yellow (Pre-November 2003)	
	89-3942	Nozzle, Inner, 83 Blue (Pre-November 2003)	
	89-4652	Nozzle, Inner, 84 Brown (Pre-November 2003)	
	89-3729	Nozzle, Inner, 85 Orange (Pre-November 2003)	
	89-4653	Nozzle, Inner, 86 Green (Pre-November 2003)	
	89-1879	Nozzle, Inner, 87 Gray (Pre-November 2003)	
	89-4654	Nozzle, Inner, 88 Black (Pre-November 2003)	
	89-1878	Nozzle, Inner, 89 Red (Pre-November 2003)	
	89-4649	Restrictor, (82 & 83 Black) (Pre-November 2003)	
	89-4650	Restrictor, (84–89 White) (Pre-November 2003)	
		<b>SERVICE TOOLS</b>	
	995-09	Valve Removal Tool	
	995-15	Selector Tool (Flag Key)	
	995-55	Riser Hold-up Tool	
	995-79	Nut Driver, 7/16" (For Inner & Intermediate Nozzles)	
	995-80	Nut Driver, 1/2" (For 363-4039 Lock Nut)	
	995-81	Nut Driver, 9/16" (For Main Nozzle)	
	995-82	Arc Adjustment Tool 3/32" (T-handle Hex Wrench)	
	995-83	Multi-purpose Tool	
	995-85	Riser Removal Tool	
	995-101	Valve Insertion Tool	
	995-100	Valve Snap Ring Pliers with Screen Remover	
		* Order Through Finished Goods Distribution System–Minneapolis	

# 670 Series

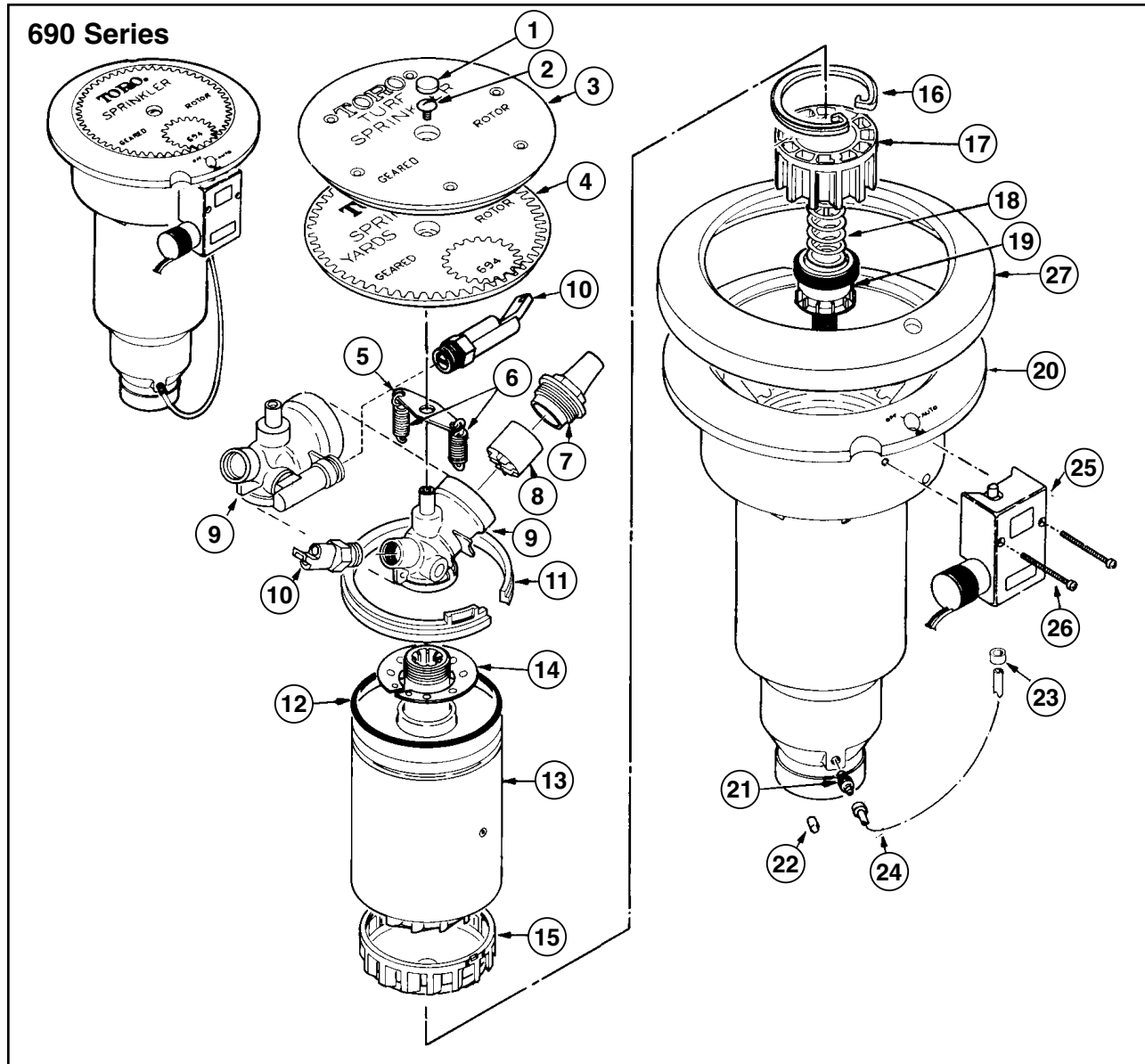


## Model Number Information

674-XX-XXX				
Arc	Body	Valve	Nozzle	Pressure Regulation *
4 = Full-circle	0 = NPT 4 = ACME 5 = BSP	1 = NO Valve-In-Head 2 = Check-O-Matic 6 = Electric Valve-In-Head	70 71 72 73 74	6 = 65 PSI 8 = 80 PSI 1 = 100 PSI

\* Pressure Regulation available on Electric and NC VIH models only.

Item No.	Part No.	Description	Quantity Per Assy.
1	363-1571	Screw, Machine, 1/4-20 X 2", SST	2
2	9-5633	Cap Assy, Rubber Cover	1
3	9-3735	Plate, Cap, Insert	1
4	360-0107	O-Ring, 0.070" x 0.301" x 0.441"	2
5	35-0530	Cap, Sprinkler, 670	1
6	9-2793	Nozzle, "0" Intermediate	1
7	9-7177	Nozzle, "F" Inner	1
8	9-7962	Ring, Nozzle Assy., #70 (5/16")	1
8	9-7963	Ring, Nozzle Assy., #71 (11/32")	1
8	9-7964	Ring, Nozzle Assy., #72 (3/8")	1
8	9-7965	Ring, Nozzle Assy., #73 (13/32")	1
8	9-7966	Ring, Nozzle Assy., #74 (7/16")	1
9	89-5813	Straightener, Stream	1
10	360-0398	O-Ring, 0.070" x 1.989" x 2.129"	1
11	9-7407	Nozzle Base Assy.	1
12	9-5075	O-Ring, Housing, Outer	1
13	35-6119	Ring, Snap, Head	1
14	9-5055	Spring Retainer & Plate Assembly	1
15	363-4103	O-Ring, Paraffin AS-568 234	1
16	9-3737	Spring, Return	1
17	9-3874	Drive Assy., Outer Housing	1
18	9-3908	Drive Assy. (Includes Item 17)	1
19	9-4091	Stator, Fixed (Used with #70 & #71 Nozzle)	1
19	9-4529	Stator, Variable (Used with #72, #73 & #74 Nozzle)	1
20	35-3611	Screen, Debris	1
21	-----	Body Assy. (See p. 104)	1
22	-----	Pilot Valve Assy. (See p. 108)	1
23	9-5355	Cover, Flange, Rubber	1
24	3-2518	Plug, Cap, Rubber	1
		<b>SERVICE ITEMS</b>	
	89-0475	670 Nozzle Assy., #70 (Includes Items 1 & 3-12)	
	9-7415	670 Nozzle Assy., #71 (Includes Items 1 & 3-12)	
	9-7416	670 Nozzle Assy., #72 (Includes Items 1 & 3-12)	
	9-7417	670 Nozzle Assy., #73 (Includes Items 1 & 3-12)	
	9-7418	670 Nozzle Assy., #74 (Includes Items 1 & 3-12)	
	9-7271	Adapter, Tubing (Oversize Thread)	
	35-3599	Stream Straightener, Debris Resistant	
	670-01	Kit, Rubber Cover (Includes Items 2, 23 & 24)	
		<b>SERVICE TOOLS</b>	
	995-09	Valve Removal Tool	
	995-15	Selector Tool (Flag Key)	
	995-83	Multi-purpose Tool	
	995-100	Valve Snap Ring Pliers with Screen Remover	
	995-101	Valve Insertion Tool	



### Model Number Information

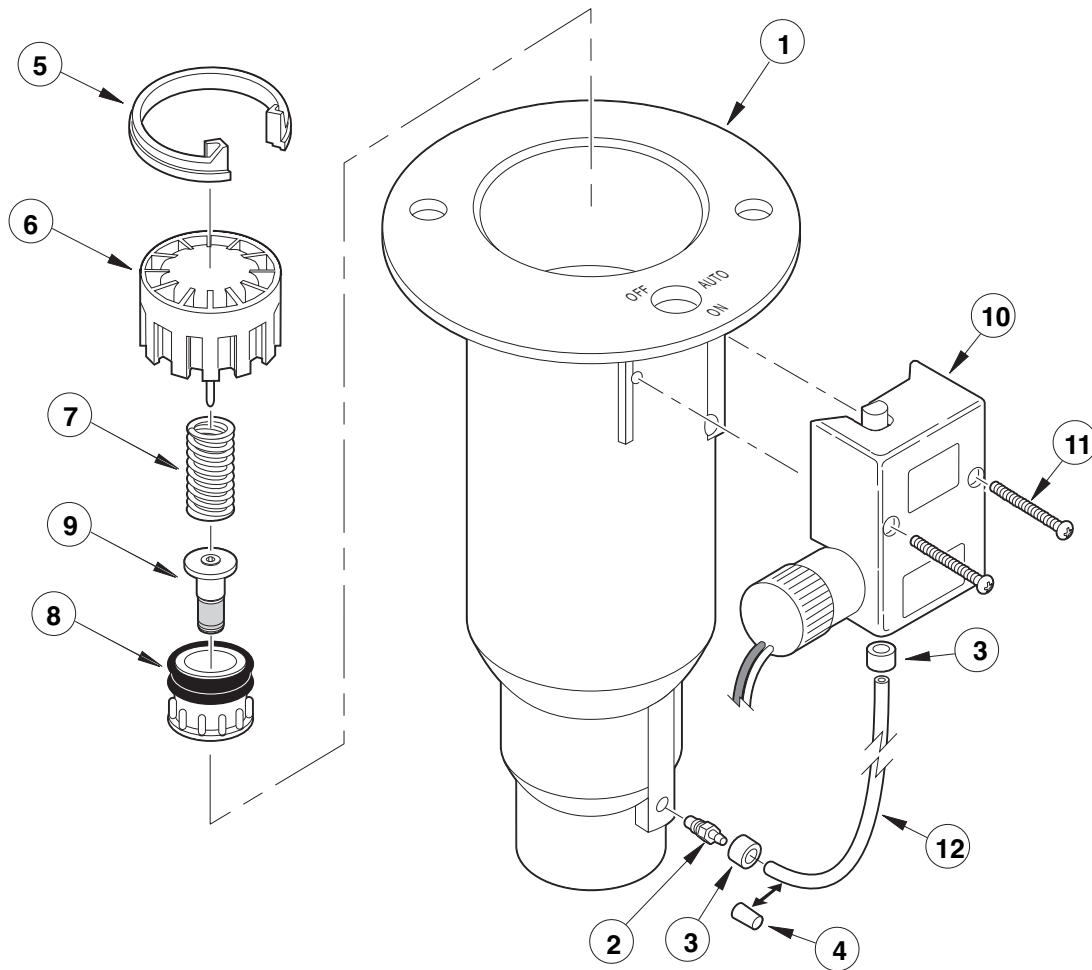
69X-XX-XXX				
Arc	Body Threads	Valve	Nozzle	Pressure Regulation *
1 = 90° Quarter-circle	0 = NPT	1 = NO Valve-In-Head	90	8 = 80 PSI
2 = 180° Half-circle		2 = Check-O-Matic	91	1 = 100 PSI
4 = Full-circle		6 = Electric Valve-In-Head	92	
6 = Full-circle, 2-speed, (60°-120°)				
8 = Full-circle, 2-speed, (180°-180°)				
A = 150°				
B = 165°				
C = 195°				
D = 210°				

\* Pressure Regulation available on Electric & NC VIH models only.

Item No.	Part No.	Description	Quantity Per Assy.
1	3-2518	Plug, Cap , Rubber	1
2	3-3567	Screw, Machine, 1/4-20 x3/8"	1
3	3-3582	Cover, Cap, Rubber	1
4	3-3532	Cap	1
5	9-2734	Strap, Spring	1

Item No.	Part No.	Description	Quantity Per Assy.
6	9-2738	Spring, Retraction	2
7	89-5816	Nozzle, Main, 3/8", #90	1
7	3-3542	Nozzle, Main, 7/16", #91	1
7	3-3543	Nozzle, Main, 1/2", #92	1
8	3-3535	Straightener, Stream	1
9	3-3531	Base, Nozzle, Full-circle	1
9	9-1079	Base, Nozzle, Part-circle	1
10	9-5535	Nozzle, Back	1
11	3-3536	Snap Ring, Head	1
12	363-3210	O-Ring, 0.139" x 4.359" x 4.637"	1
13	9-1849	Drive Assy., Quarter-circle, 691 (Includes Item 14)	1
13	9-1850	Drive Assy., Half-circle, 692 (Includes Item 14)	1
13	3-3585	Drive Assy., Full-circle, 694 (Includes Item 14)	1
13	35-5123	Drive Assy., 696, 2-Speed, 60°-120° (Includes Item 14)	1
13	3-3549	Drive Assy., 698, 2-Speed 180° (Includes Item 14)	1
13	89-8145	Drive Assy., 150° (Includes Item 14)	1
13	89-8146	Drive Assy., 165° (Includes Item 14)	1
13	89-8147	Drive Assy., 195° (Includes Item 14)	1
13	89-8148	Drive Assy., 210° (Includes Item 14)	1
14	9-2736	Collar, Spring	1
15	3-3586	Stator, 3/8", #90	1
15	3-3568	Stator, 7/16", #91	1
15	3-3555	Stator, 1/2", #92	1
16	3-3304	Snap Ring, Valve	1
17	9-1479	Cylinder Assy., NO, COM & Drain Valve	1
17	102-0626	Cylinder Assy., EI & NC	1
18	3-3311	Spring, Valve, COM	1
18	3-3323	Spring, Valve, EL, NO, NC & Drain Valve	1
19	89-1201	Piston Assy., Valve, NO & COM	1
19	3-3355	Piston Assy., Valve, Drain	1
19	102-6311	Piston Assy., Valve, EI & NC	1
20	-----	Body, 690 (See Service Items)	1
21	9-6002	Adapter, Tubing, Threaded, 1/4"	1
22	*89-8157	Cap, Poly, 1/4"	1
23	*900-40	Retainer, Tube	2
24	9-2624	Tubing, Poly 1/4" x 16.5"	1
25	-----	Pilot Valve Assy. (See p. 108)	1
26	3-2696	Screw, Tap, #8	2
27	3-3581	Cover, Body, Rubber	1
		<b>SERVICE ITEMS</b>	
	3-3529	Cap Assy., Rubber Cover (Includes Items 3 & 4)	
	2-9647	Screw, Machine, #10-24 x 1.5"	
	3-3579	Body, Electric w/o/VIH (Includes Items 20-23)	
	89-4861	Body, Electric w/VIH (Includes Items 16-23)	
	89-4873	Body, Electric w/VIH, 80 psi. PV (Includes Items 16-21 and 23-26)	
	89-1019	Body, Electric w/VIH, 100 psi. PV (Includes Items 16-21 and 23-26)	
	3-3558	Body, Hydraulic NO w/o/VIH (Includes Items 20-23)	
	89-1038	Body, Hydraulic NO w/VIH (Includes Items 16-23)	
	9-1497	Body, COM w/o/VIH (Includes Items 20, 21, 23 and 24)	
	89-4879	Body, COM w/VIH (Includes Items 16-21, 23 and 24)	
	-----	Pilot Valve Assy., 100 Lbs. w/Tubing (includes Items 21& 23-26)	
	9-4079	Nozzle Assy., 690-90 (Includes Items 7-10)	
	9-4080	Nozzle Assy., 690-91 (Includes Items 7-10)	
	9-4081	Nozzle Assy., 690-92 (Includes Items 7-10)	
	9-4083	Nozzle Assy., 694-90 (Includes Items 7-10)	
	9-4084	Nozzle Assy., 694-91 (Includes Items 7-10)	
	9-4085	Nozzle Assy., 694-92 (Includes Items 7-10)	
	9-5747	Nozzle Base Assy., 690, Dual Back Nozzles (Front & Back)	
	9-2669	Retraction Assy., Spring (Includes Items 5, 6, 11 & 14)	
	690-01	Kit, Cover, Rubber (Includes Items 1, 3 & 27)	
	9-7271	Adapter, Tubing, Oversized Thread	
		<b>SERVICE TOOLS</b>	
	995-06	Drive Assy. Extraction Tool	
	995-100	Valve Snap Ring Pliers	
	995-09	Valve Removal Tool	
	995-12	Valve Insertion Tool	
	995-15	Selector Tool (Flag Key)	
	995-17	Riser Pliers	
	995-20	Valve Insertion Tool, Rubber Cover	
	995-22	Hose Adapter	
	995-49	*Pressure Gauge	
	995-50	Pilot Tube	
	995-51	Pressure Gauge Kit	
	995-100	Valve Snap Ring Pliers with Screen Remover	
		* Order Through Finished Goods Distribution System-Minneapolis	

# Golf Sprinkler Body — 1 Inch



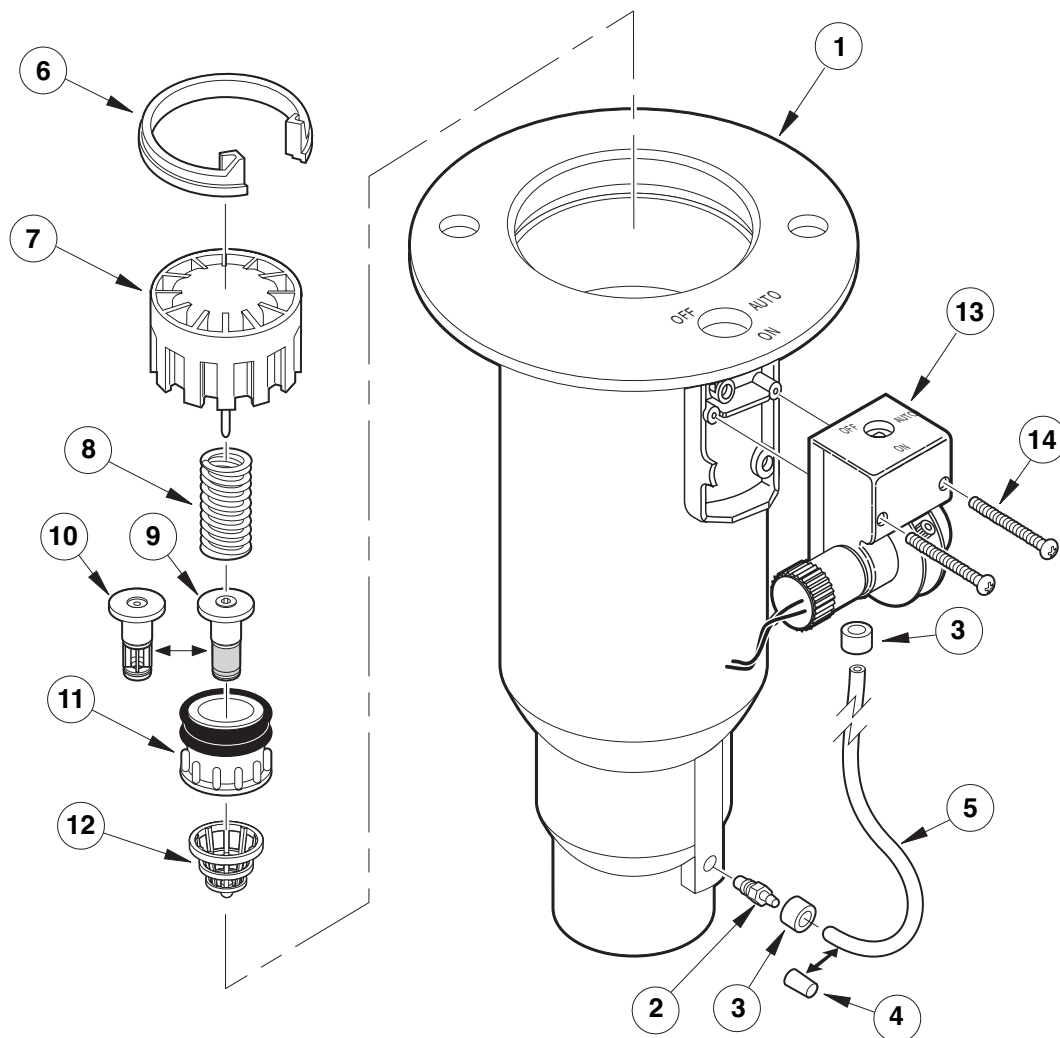
Item No.	Part No.	Description	Quantity Per Assy.
		<b>1 INCH NPT BODY STYLE</b>	
1	35-9421	Electric w/o VIH (Includes Items 1-4)	1
1	**89-4128	Electric w/o VIH, Ribless (Includes Items 1-4)	1
1	102-0083	Electric w/VIH, 720 (Includes Items 1-9)	1
1	35-9418	Hydraulic NO w/o VIH (Includes Items 1-4)	1
1	**89-4126	Hydraulic NO w/o VIH, Ribless (Includes Items 1-4)	1
1	35-9453	COM w/o VIH (Includes Items 1-3 & 12)	1
1	**89-4127	COM w/o VIH, Ribless (Includes Items 1-3 & 12)	1
		<b>1 INCH BSP BODY STYLE</b>	
1	35-9386	Electric w/o VIH (Includes Items 1-4)	1
1	**89-4131	Electric w/o VIH, Ribless (Includes Items 1-4)	1
1	102-0084	Electric w/VIH, 720 (Includes Items 1-9)	1
1	35-9385	Hydraulic NO w/o VIH (Includes Items 1-4)	1
1	**89-4129	Hydraulic NO w/o VIH, Ribless (Includes Items 1-4)	1
1	35-9294	COM w/o VIH (Includes Items 1-3 & 12)	1
1	**89-4130	COM w/o VIH, Ribless (Includes Items 1-3 & 12)	1

**\*\*Note:** Ribless bodies are used with sprinklers manufactured prior to July 1993.

Item No.	Part No.	Description	Quantity Per Assy.
		<b>1 INCH ACME BODY STYLE</b>	
1	89-8635	1" ACME Body Style, Electric w/o VIH (Includes Items 1–4)	1
1	102-0085	1" ACME Body Style, Electric w/VIH, 720 (Includes Items 1–9)	1
1	89-8643	1" ACME Body Style, Hydraulic NO w/o VIH (Includes Items 1–4)	1
1	89-8641	1" ACME Body Style, COM w/o VIH (Includes Items 1–3 & 12)	1
2	9-6002	Adapter, Tubing, Threaded, 1/4"	1
3	*900-40	Retainer, Tube	2
4	89-8157	Cap, Poly	1
5	89-4702	Snap Ring, Valve	1
6	9-1485	Cylinder Assy., NO & COM	1
6	9-1487	Cylinder Assy., EL & NC	1
7	3-2633	Spring, Valve, NO, EL & NC	1
7	89-5821	Spring, Valve, COM	1
8	89-1044	Piston Assy., NO & COM	1
8	89-1054	Piston Assy., EL & NC, (Includes Item 9)	1
8	102-0081	Piston Assy., EL (720 Only) (Includes Item 9)	1
9	35-9646	Filter Assy., Metering, EL & NC	1
10	- - - - -	Pilot Valve Assy. (See p. 108)	1
11	3-2696	Screw, Tap #8	2
12	9-2622	Tubing, Poly, 1/4" x 6 1/4", EL & NC	1
12	9-1876	Tubing, Poly, 1/4" x 12", COM	1
		<b>SERVICE ITEMS</b>	
	89-1046	Valve Assy., NO (Includes Items 6–8)	
	89-1047	Valve Assy., COM (Includes Items 6–8)	
	89-1048	Valve Assy., EL, NC (Includes Items 6–9)	
	102-0082	Valve Assy., EL, 720 (Includes Items 6–9)	
	9-7271	Adapter, 1/4" Poly (Oversize Thread)	
		* Order Through Finished Goods Distribution System—Minneapolis	



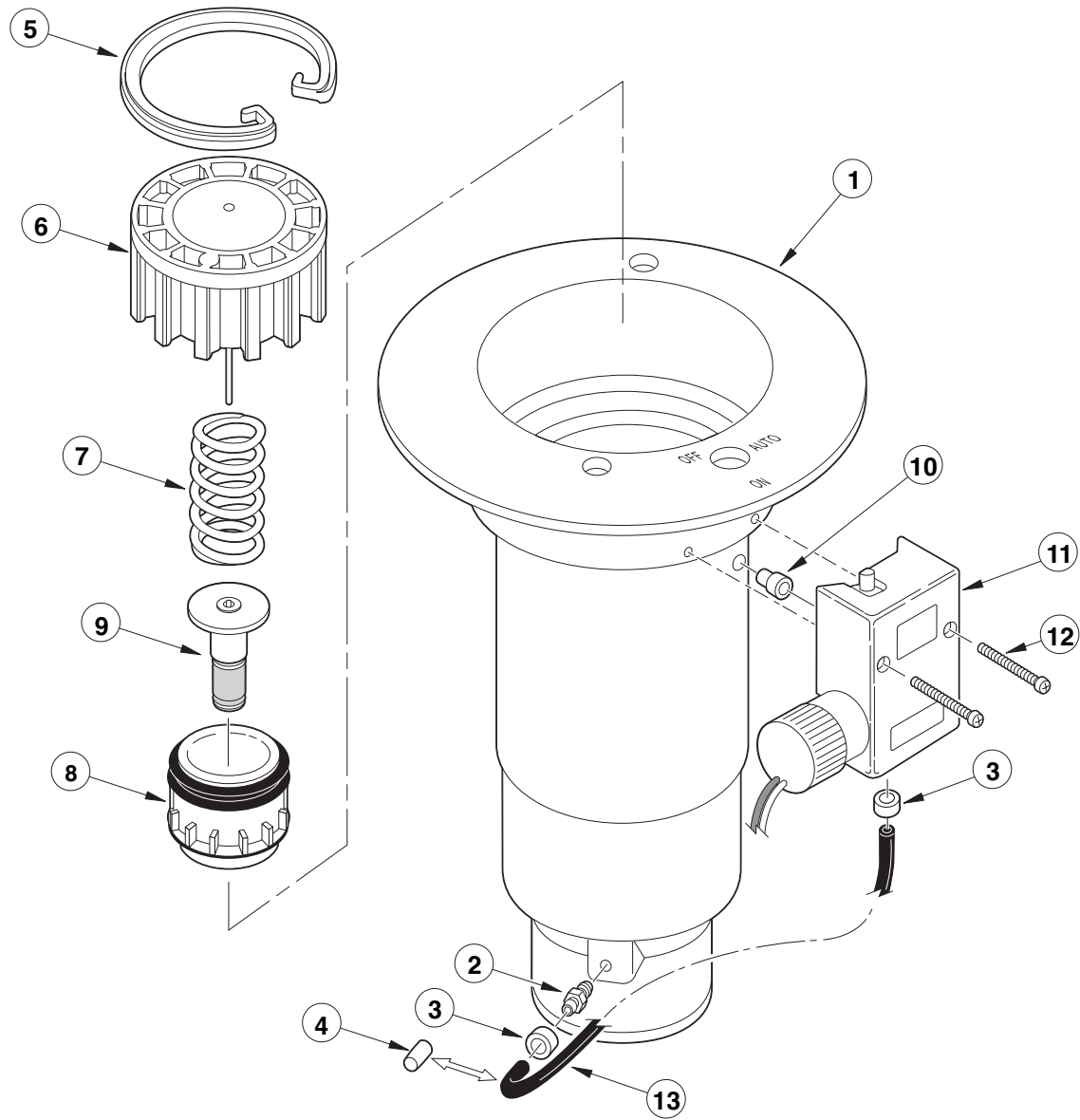
## Golf Sprinkler Body — 1 Inch — 800S & DT Series



Item No.	Part No.	Description	Quantity Per Assy.
		<b>1 INCH NPT BODY STYLE</b>	
1	102-1090	Electric w/o VIH (Includes Items 1–2)	1
1	102-1084	Hydraulic NO w/o VIH (Includes Items 1–2)	1
1	102-1078	COM w/o VIH (Includes Items 1–3 & 5)	1
		<b>1 INCH BSP BODY STYLE</b>	
1	102-1092	Electric w/o VIH (Includes Items 1–2)	1
1	102-1086	Hydraulic NO w/o VIH (Includes Items 1–2)	1
1	102-1080	COM w/o VIH (Includes Items 1–3 & 5)	1
		<b>1 INCH BSP BODY STYLE</b>	
1	102-1094	1" ACME Body Style, Electric w/o VIH (Includes Items 1–2)	1
1	102-1088	1" ACME Body Style, Hydraulic NO w/o VIH (Includes Items 1–2)	1
1	102-1082	1" ACME Body Style, COM w/o VIH (Includes Items 1–3 & 5)	1

Item No.	Part No.	Description	Quantity Per Assy.
2	9-6002	Adapter, Tubing, Threaded, 1/4"	1
3	*900-40	Retainer, Tube	2
4	89-8157	Cap, Poly	1
5	9-2623	Tubing, Poly, 1/4" x 8", EL	1
5	9-1876	Tubing, Poly, 1/4" x 12", COM	1
6	89-4702	Snap Ring, Valve	1
7	102-0623	Cylinder Assy., EL & NO/COM	1
8	3-2633	Spring, Valve, NO/EL, Silver	1
8	89-5821	Spring, Valve, COM, Black	1
9	35-9646	Filter Assy., Metering, EL	1
10	102-6529	Filter Assy., Non-Metering, NO/COM	1
11	102-6314	Piston Assy., NO & COM (Includes Item 10)	1
11	89-1054	Piston Assy., EL (Includes Item 9)	1
12	102-0784	Rock Screen, 1"	1
13	- - - - -	Pilot Valve Assy. (See p. 109)	1
14	3-2696	Screw, Tap #8	2
		<b>SERVICE ITEMS</b>	
	102-6313	Valve Assy., NO (Includes Items 7, 8, 10 & 11)	
	102-6312	Valve Assy., COM (Includes Items 7, 8, 10 & 11)	
	102-0624	Valve Assy., EL, NC (Includes Items 7-9, & 11)	
		* Order Through Finished Goods Distribution System—Minneapolis	

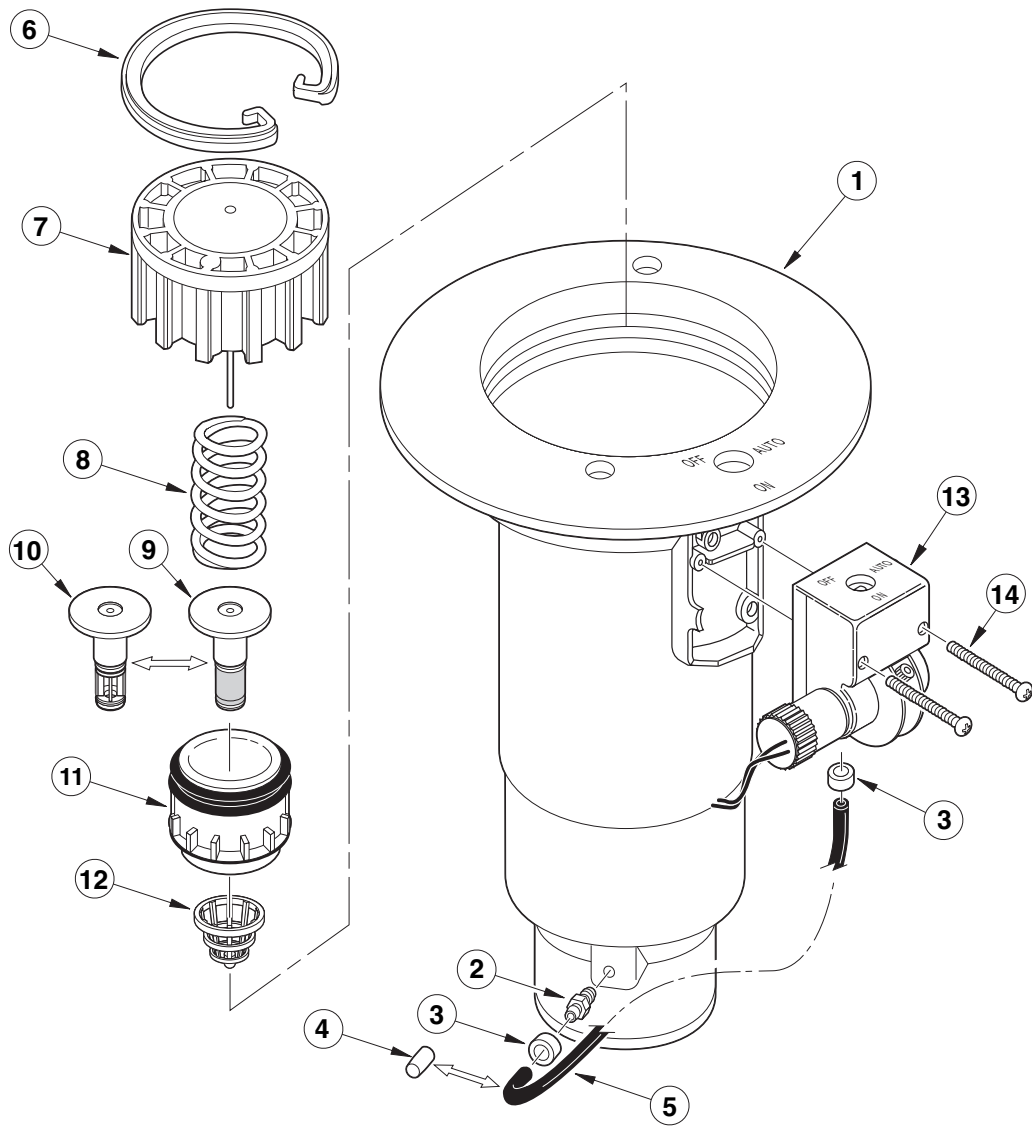
# Golf Sprinkler Body – 1.5 Inch



Item No.	Part No.	Description	Quantity Per Assy.
<b>1.5 INCH NPT BODY STYLE</b>			
1	3-3389	Electric w/o VIH (Includes Items 1–4)	1
1	3-3343	Hydraulic NO w/o VIH (Includes Items 1–4)	1
1	9-1257	COM w/o VIH (Includes Items 1–3 & 13)	1
<b>1.5 INCH BSP BODY STYLE</b>			
1	35-5362	Electric w/o VIH (Includes Items 1–4)	1
1	35-5322	COM w/o VIH (Includes Items 1–3 & 13)	1
1	35-5245	Hydraulic NO w/o VIH (Includes Items 1–4)	1
<b>1.5 INCH ACME BODY STYLE</b>			
1	89-8646	Electric w/o VIH (Includes Items 1–4)	1
1	89-8652	COM w/o VIH (Includes Items 1–3 & 13)	1
1	89-8654	Hydraulic NO w/o VIH (Includes Items 1–4)	1

Item No.	Part No.	Description	Quantity Per Assy.
2	9-6002	Adapter, Tubing, Threaded, 1/4"	1
3	*900-40	Retainer, Tube	1 or 2
4	89-8157	Cap, Poly	1
5	3-3304	Snap Ring, Valve	1
6	9-1479	Cylinder Assy., COM & NO	1
6	102-0626	Cylinder Assy., EL & NC	1
7	3-3323	Spring, Valve, EL, NO, & NC, Silver	1
7	3-3311	Spring, Valve, COM, Black	1
8	89-1201	Piston Assy., COM & NO	1
8	102-5101	Piston Assy., EL & NC (Includes Item 9)	1
9	35-9645	Filter Assy., Metering, EL & NC	1
10	35-7663	Adapter, Pilot Valve to Body	1
11	-----	Pilot Valve Assy. (See p. 108)	1
12	3-2696	Screw, Tap #8	2
13	9-2623	Tubing, Poly, 1/4" x 8", EL & NC	1
13	9-1876	Tubing, Poly, 1/4" x 11.5", COM	1
		<b>SERVICE ITEMS</b>	
	89-1036	Valve Assy., NO (Includes Items 6–8)	
	89-1037	Valve Assy., COM (Includes Items 6–8)	
	102-4003	Valve Assy., EL and NC (Includes Items 6–9)	
	9-7271	Adapter, 1/4" Poly (Oversize Thread)	
		* Order Through Finished Goods Distribution System–Minneapolis	

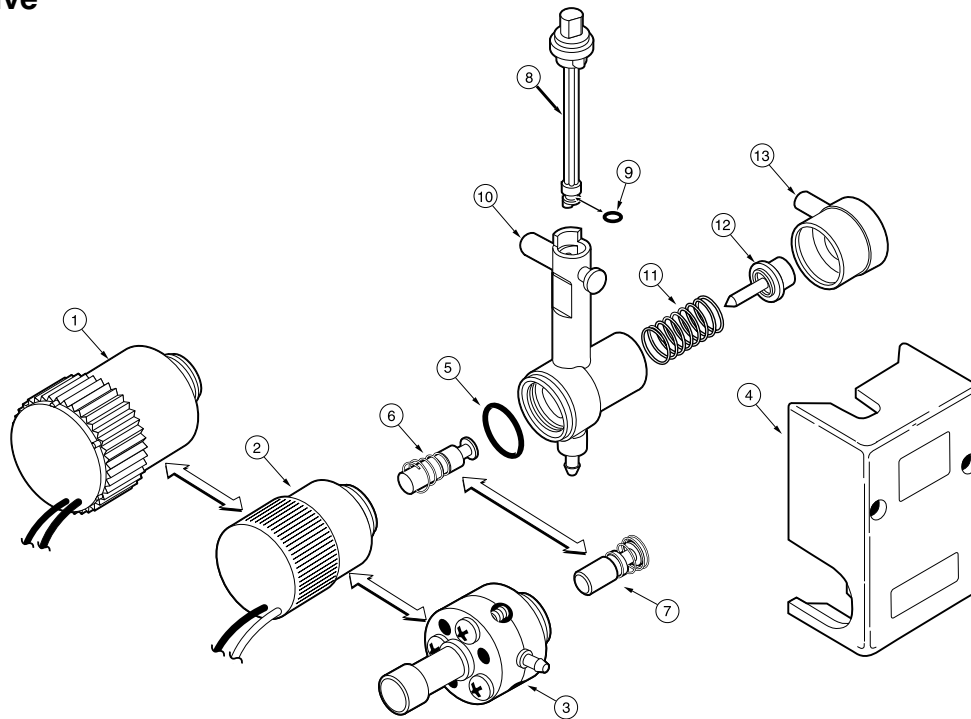
# Golf Sprinkler Body – 1.5 Inch – 800S & DT Series



Item No.	Part No.	Description	Quantity Per Assy.
		<b>1.5 INCH NPT BODY STYLE</b>	
1	102-1149	Electric w/o VIH (Includes Items 1–2)	1
1	102-1143	Hydraulic NO w/o VIH (Includes Items 1–2)	1
1	102-1137	COM w/o VIH (Includes Items 1–3 & 5)	1
		<b>1.5 INCH BSP BODY STYLE</b>	
1	102-1151	Electric w/o VIH (Includes Items 1–2)	1
1	102-1139	COM w/o VIH (Includes Items 1–3 & 5)	1
1	102-1145	Hydraulic NO w/o VIH (Includes Items 1–2)	1
		<b>1.5 INCH ACME BODY STYLE</b>	
1	102-1153	Electric w/o VIH (Includes Items 1–2)	1
1	102-1141	COM w/o VIH (Includes Items 1–3 & 5)	1
1	102-1147	Hydraulic NO w/o VIH (Includes Items 1–2)	1

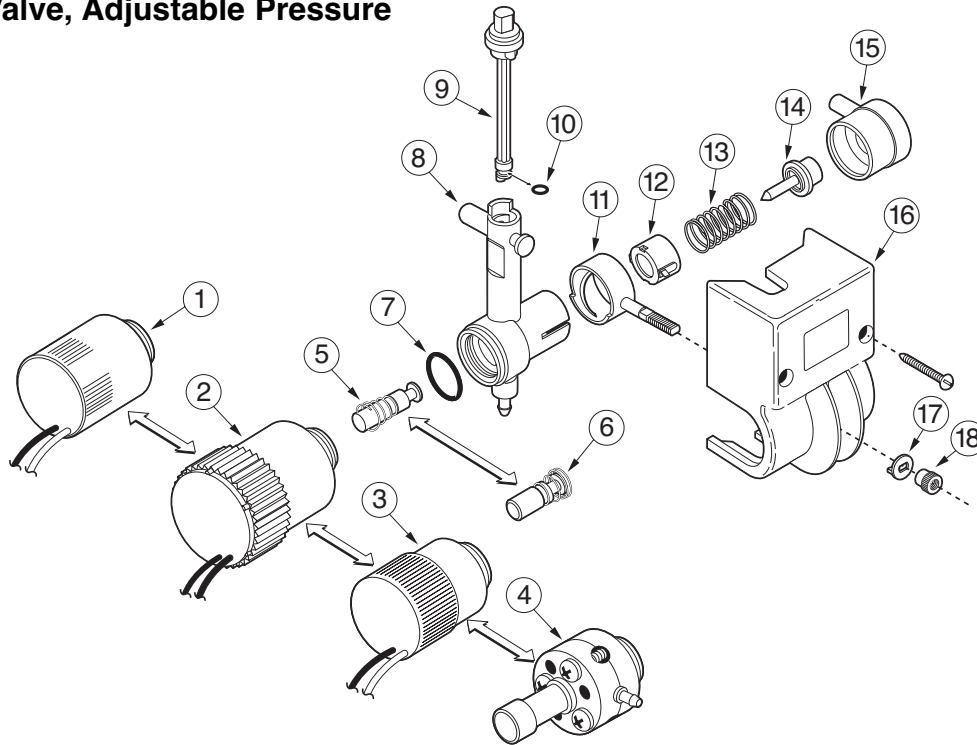
Item No.	Part No.	Description	Quantity Per Assy.
2	9-6002	Adapter, Tubing, Threaded, 1/4"	1
3	*900-40	Retainer, Tube	1 or 2
4	89-8157	Cap, Poly	1
5	9-2623	Tubing, Poly, 1/4" x 8", EL	1
5	9-2624	Tubing, Poly, 1/4" x 14", COM	1
6	3-3304	Snap Ring, Valve	1
7	102-0626	Cylinder Assy., EL & NO/COM	1
8	3-3323	Spring, Valve, EL/NO, Silver	1
8	3-3311	Spring, Valve, COM, Black	1
9	35-9645	Filter Assy., Metering, EL & NC	1
10	102-6530	Filter Assy., Non-Metering, NO/COM	1
11	102-6311	Piston Assy., COM & NO (Includes Item 10)	1
11	102-5101	Piston Assy., EL (Includes Item 9)	1
12	102-0785	Rock Screen, 1.5"	1
13	-----	Pilot Valve Assy. (See p. 109)	1
14	3-2696	Screw, Tap #8	2
		<b>SERVICE ITEMS</b>	
	102-6310	Valve Assy., NO (Includes Items 7, 8, 10 & 11)	
	102-6309	Valve Assy., COM (Includes Items 7, 8, 10 & 11)	
	102-4003	Valve Assy., EL (Includes Items 7-9 & 11)	
		* Order Through Finished Goods Distribution System—Minneapolis	

## Pilot Valve



Item No.	Part No.	Description	Quantity Per Assy.
1	102-6316	Solenoid, Low Wattage, w/Surge Protection (Black Wires)	1
1	102-6318	Solenoid, Low Wattage, w/Surge Protection, Nickel PLated (Red Wires)	1
1	102-2709	Solenoid, Low Wattage, 2-Wire Dec., w/Surge Protection (Red w/ Wht. & Blk wires)	1
2	118-0248	Solenoid, 600/700 Series (Red & Black Wires)	1
3	89-6005	Adapter, Pilot Valve, NC	1
4	89-0001	Housing, Pilot Valve	1
5	360-0220	O-Ring, 0.070" x 0.551" x 0.691"	1
6	102-2110	Plunger Assy., EL, Saltwater Tolerant	1
6	102-7690	Plunger Assy., EL	1
7	89-6003	Plunger Assy., NC	1
8	102-0343	Selector Cam, Black (Includes Item 9)	1
9	1-2035	O-Ring, 0.070" x 0.114" x 0.254"	1
10	102-7723	Body Assy., Pilot Valve (Cross-reference with New Pilot Valve Assy. w/o Solenoid)	1
11	35-9970	Spring, 50 psi, Black	1
11	35-9971	Spring, 65 psi, Green	1
11	35-9972	Spring, 80 psi, Red	1
11	35-9973	Spring, 100 psi, Blue	1
12	89-0029	Piston	1
13	89-0005	Diaphragm Assy.	1
		See Pilot Valve Assemblies with Adjustable Pressure.	

## Pilot Valve, Adjustable Pressure



Item No.	Part No.	Description	Quantity Per Assy.
1	102-2709	Solenoid, DC Latching, 2-Wire Decoder (Red w/White Stripe and Black Wires)	1
2	102-6316	Solenoid, Low Wattage, w/Surge Protection (Black Wires)	1
2	102-6318	Solenoid, Low Wattage, w/Surge Protection Nickel Plated (Red Wires)	1
2	102-4979	Solenoid, 3-Wire Decoder, w/Surge Protection (Yellow Wires)	1
3	118-0248	Solenoid, DT Series, 600/700 Series (Red and Black Wires)	1
4	89-6005	Adapter, Pilot Valve, NC	1
5	102-2110	Plunger Assy., EL, Nickel Plated	1
5	102-7690	Plunger Assy., EL	1
6	89-6003	Plunger Assy., NC	1
7	360-0220	O-Ring, 0.070" x 0.551" x 0.254"	1
8	102-4747	Body Assy., Pilot Valve	1
9	102-0343	Selector Cam, Black (Includes item 10)	1
9	102-4831	Selector Cam, Red (Includes item 10)	1
10	1-2035	O-Ring, 0.070" x 0.114" x 0.254"	1
11	102-2237	Adjuster, PSI	1
12	102-2236	Traveling Nut	1
13	102-2235	Spring	1
14	102-2469	Piston	1
15	102-2473	Diaphragm Assy.	1
16	102-2238	Housing, Pilot Valve	1
17	102-2606	Adjustment Locator	1
18	363-4441	Nut, Adjuster	1
		<b>SERVICE ITEMS</b>	
	102-5975	Pilot Valve Assy., Selectable Pressure Less Solenoid, Use w/All Electric Pilot Valve except Nickel Plated (Includes Items 5[102-7690] & 7-18)	
	102-5974	Pilot Valve Assy., Selectable Pressure w/Low Watt/High Surge Solenoid 800S Series (Includes Items 2[102-3443], 5[102-7690] & 7-18)	
	102-5178	Pilot Valve Assy., Selectable Pressure w/Standard Watt & Surge Solenoid, 600/700 Series (Includes Items 3, 5[102-7690] & 7-18)	
	102-5181	Pilot Valve Assy., Selectable Pressure w/Normally Closed Actuator (Includes Items 4 & 6-18)	
	102-5976	Pilot Valve Assy., Selectable Pressure w/Low Watt/High Surge Nickel Plated (Includes Items 2[102-0312], 5[102-2110] & 7-18)	
	102-5977	Pilot Valve Assy., Selectable Pressure w/Standard Watt/High Surge, 3-Wire Decoder (Includes Items 2[102-4979], 5[102-7690] & 7-18)	
	102-6533	Pilot Valve Assy., Selectable Pressure w/DC Latching Solenoid, 2-Wire Decoder (Includes Items 1, 5 [102-7690] & 7-18)	





**The Toro Company • Irrigation Division • An ISO 9000-certified Company  
P.O. Box 489 • Riverside, CA 92502-0489 • (800) 664-4740 • [www.toro.com](http://www.toro.com)**

**Form No. 10-1027-IRC  
© 2010 The Toro Company  
All Rights Reserved**